

## Surge Protector

### SP-NFNF7G

### SP-NFNM7G

N-type Bulkhead Coaxial RF Surge Protector, DC-7GHz



#### Electrical Specifications

Product Model	SP-NFNF7G	SP-NFNM7G
Connector type	Bulkhead N-female/N-female	Bulkhead N-female/N-male
Frequency (MHz)		DC-7000
Impedance (ohm)		50.0
Average Power (W)		150
Insertion Loss (dB)	DC-6700MHz	≤ 0.2
	6700-7000MHz	≤ 0.3
VSWR	DC-6700MHz	≤ 1.20
	6700-7000MHz	≤ 1.30
Surge Current	10kA Multiple (Wave Form 8/20μs)	
Turn on Voltage	180VDC	
Impulse Sparkover	700V (1KV/μs)	
Protection Circuit	DC Pass, Bidirectional	

#### Mechanical Specifications

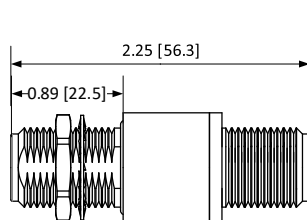
Dimension (in/ mm)	2.08x1.81x1.47 / 52.8x46.0x37.5
Weight (lb./kg)	0.33 / 0.15
Shipping Dimension (in/mm)	3.74x3.15x1.57 / 95.0x80.0x40.0
Shipping Weight (lb./kg)	0.44 / 0.20
Connector Type	Bulkhead N-female/ N-female, N-male
Inner Conductor Material	Spring Copper, Ag Plated
Outer Conductor Material	Brass Copper, Tin Zinc Plated
O-ring materials	Silicon Rubber
Insulator Material	PTFE

#### Environment & Compliance

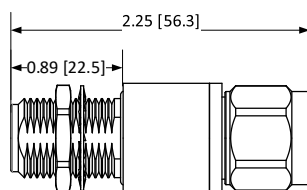
Application	Indoor / Outdoor
Operation Temperature	-40°C to +85°C
Environment	IP67
Relative Humidity	Up to 95%
RoHS	Compliant

#### Outline Drawing

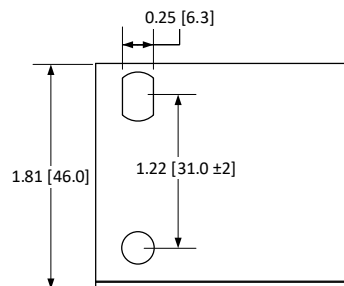
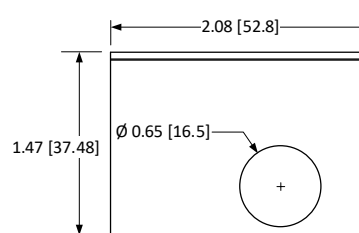
Unit: inches [mm]



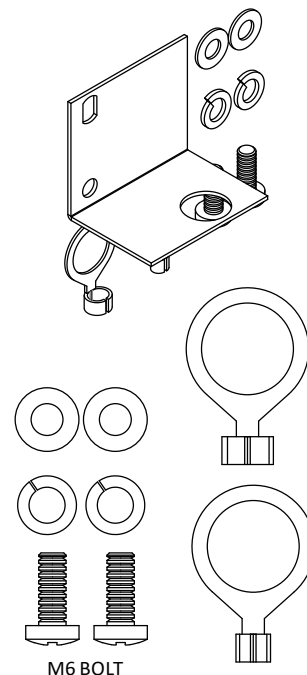
SP-NFNF7G



SP-NFNM7G



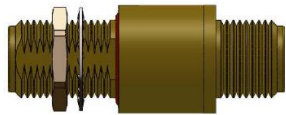
Mounting Bracket



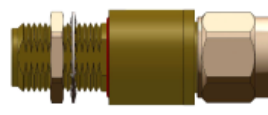
M6 BOLT

*Installation Instruction*

**SP-NFNF7G/ SP-NFNM7G Installation Instruction**



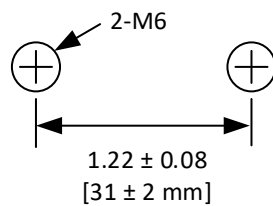
**SP-NFNF7G**  
N-F Bulkhead/N-F



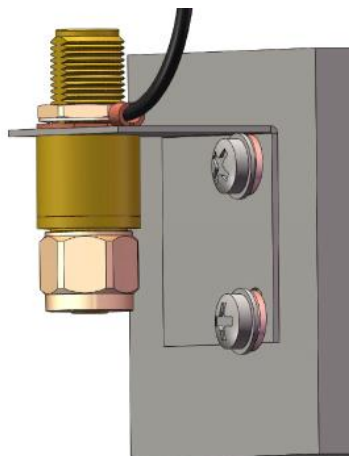
**SP-NFNM7G**  
N-F Bulkhead/N-M

**Installation Instruction**

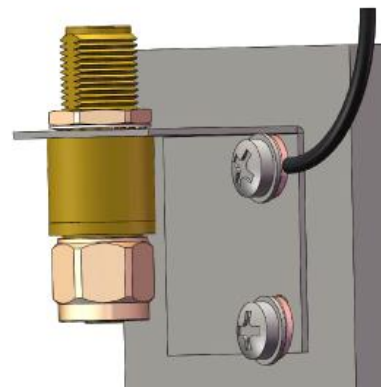
1. Drill two M6 holes on the grounding bar as shown below picture



2. Assembly the bracket to the grounding bar either Option 1 or Option 2 as shown below



Option 1



Option 2

**Note:**

Recommend 3N.m torque for the connector coupling nut (Option1)  
and 8-10N.m torque for the bracket mounting (Option 2)