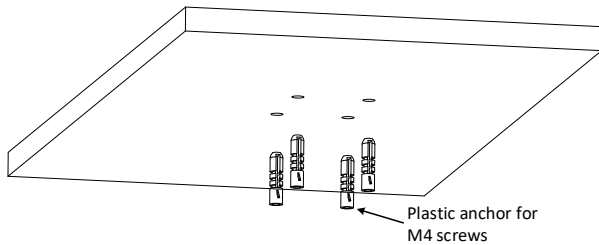
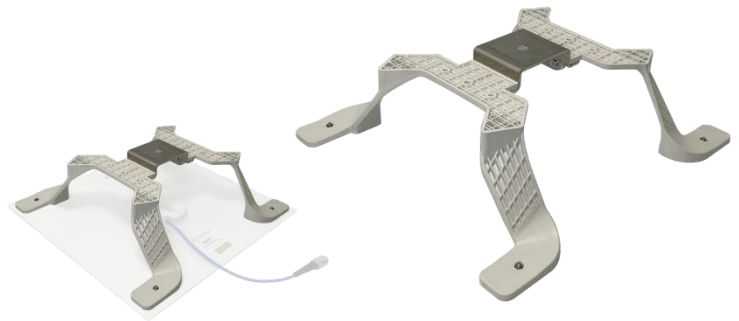


# Antenna Mounting Kit

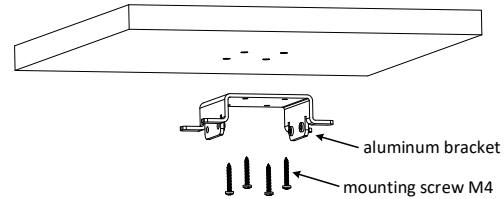
**MT-ND-EY**

UL-94-V0 rated, Hard Ceiling Mount for IXL-EYN-H2P

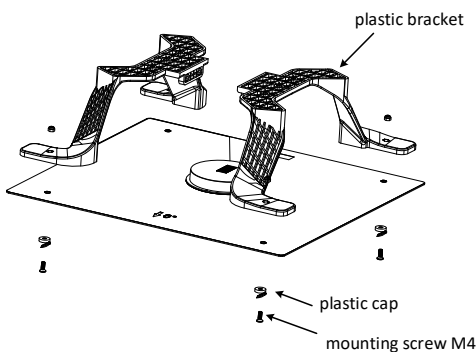
## Installation Instruction



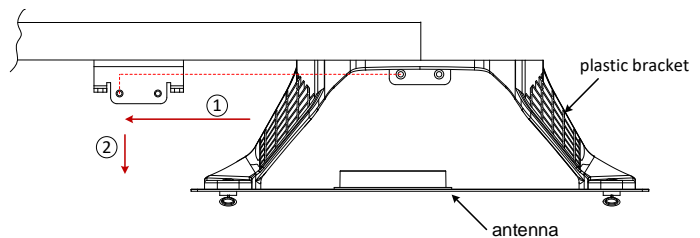
**Step 1:**  
Drill four mounting holes on the ceiling according to the plastic anchor installation requirements, and determine where to put plastic anchor(for M4) on the ceiling.



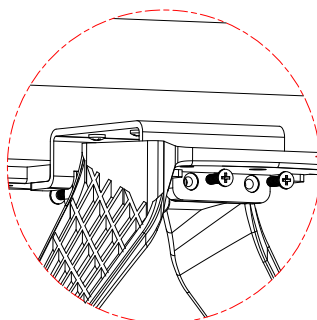
**Step 2:**  
M4x25 screws are used to attach the aluminum bracket on the ceiling.



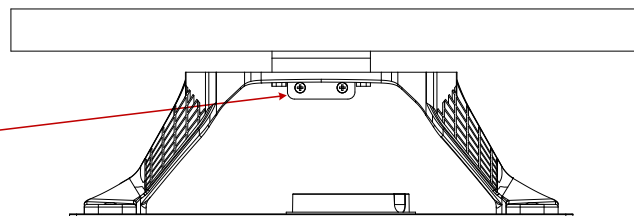
**Step 3:**  
Assemble the plastic bracket to the back of the antenna.



**Step 4:**  
Slide the antenna assembly into the aluminum bracket as shown in the drawing and push it down to align the mounting holes



Side view



**Step 5:**  
Fasten the screws on both sides to complete the installation.

### Packing List

Item	Parts	Qty
1	Identical plastic bracket	2
2	Aluminum bracket	3
3	Screws for aluminum bracket mounting on metal ceiling	4
4	Screws for aluminum bracket/plastic bracket	4
5	Screws including caps for antenna & plastic bracket	4
6	Nuts for antenna/ plastic bracket	4
7	Packing box	1

### Mechanical Specification

<b>Dimension Diameter, height (in/mm)</b>	13.27x5.71x3.98 / 337.0x145.0x101.0
<b>Weight (lb./kg)</b>	0.84 / 0.38
<b>Shipping Dimension(in/mm)</b>	15.75x6.10x4.53 / 400.0x155.0x 115.0
<b>Shipping Weight(lb./kg)</b>	1.21 / 0.55
<b>Flammability</b>	UL-94-V0