

RLP-2450

2.4 and 5 GHz Dual-Band/Dual-Port Antenna

The **RLP-2450** is a low profile 2 in 1 MIMO antenna that supports frequencies from 2.4 GHz to 7.2 GHz and includes a 6" (15cm) cable with Type SMA male connector. The Rajant RLP-2450 is designed for use with our Cardinal Node, ES1, and Sparrow BreadCrumbs®. It is IP69K so it can be deployed outdoors and is intended for warehouse automation, robotics, oil & gas, and utilities.



RLP-2450 Benefits

- Dual port 2.4 to 7.2 GHz antenna
- Omni-directional antenna with 4.9 dBi gain
- Easy installation, multiple mounting options
- IP 69K

Application Areas

- Smart utilities: Smart power, Gas & Water Metering
- Smart Buildings: Climate control, access control, security, irrigation
- Industrial factory automation, robotic machinery and other Industry 4.0 applications
- Digital Signage
- Warehouses & Logistic systems
- Transport (Busses, Utility & Public Safety)

Technical Data

Ports	2
SISO/MIMO	MIMO
Frequency Bands	2400 - 2500 MHz 5000 - 6000 MHz
Polarisation	Vertical
Peak Gain	4.3/4.9 dBi
Rated Wind	136 mph (220 km/h)
Connector Type	SMA - Type (M)
Cable Type/Length	RG-141 15cm/6in
Temperature	-40 to +80C

RF/Electrical Specifications

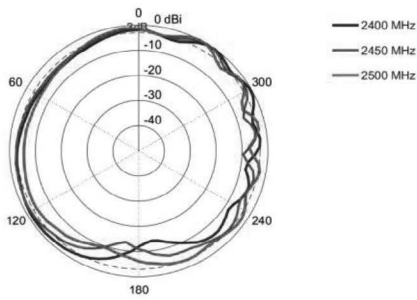
Rajant Part Number	Model	Frequency Range	Nominal Gain	Return Loss	Polarized	Connector Type
75-100161-003	RLP-2450-5-4-SM	2400-2500 MHz 5000-6000 MHz	4.3/4.9dBi	> 9 dB	Linear Vertical	SMA-m

Mechanical Specifications

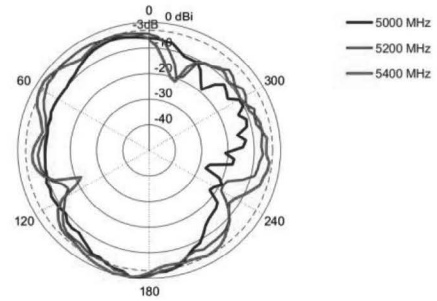
Rajant Part Number	Model	Weight	Height	Diameter	Ingress	Impact
75-100161-003	RLP-2450-5-4-SM	13.3oz. (376g)	1.42in (3.6cm)	3.91in (9.9cm)	IP 69K	IK 10

Radiation Patterns

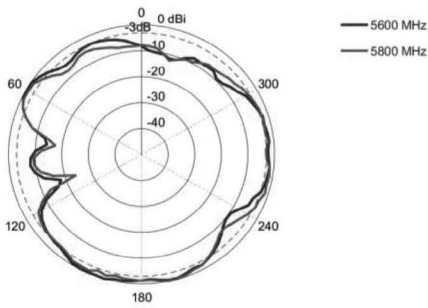
Azimuth: 2400 - 2500 MHz



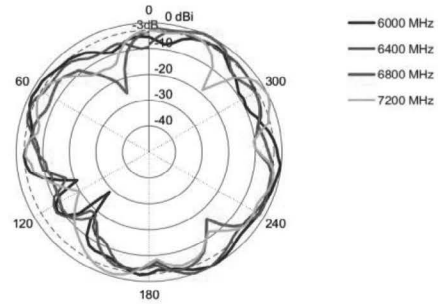
Azimuth: 5000 - 5400 MHz



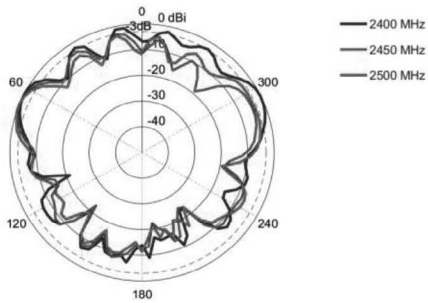
Azimuth: 5600 - 5800 MHz



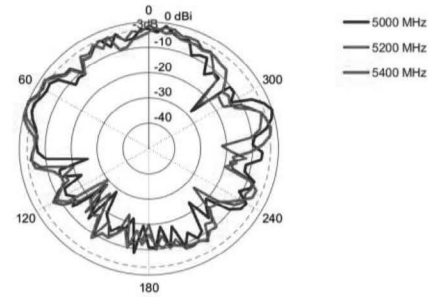
Azimuth: 6300 - 7200 MHz



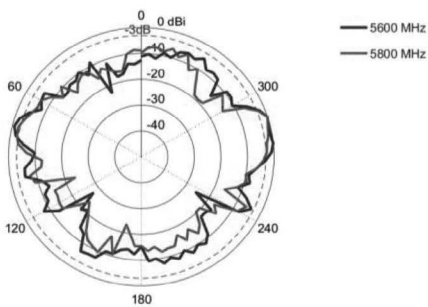
Elevation 1: 2400 - 2500 MHz



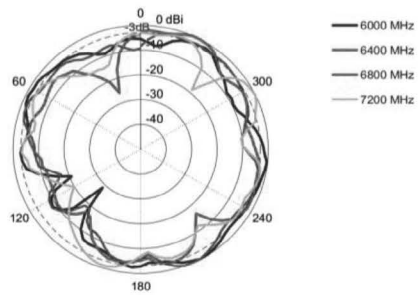
Elevation 1: 5000 - 5400 MHz



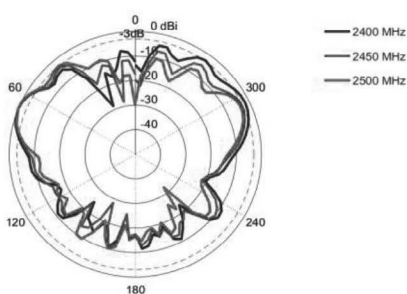
Elevation 1: 5600 - 5800 MHz



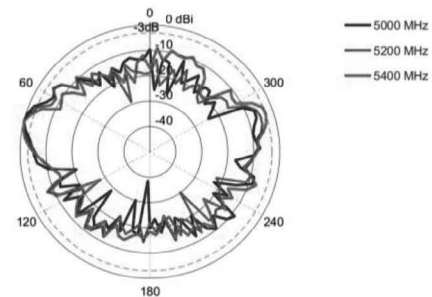
Elevation 1: 6000 - 7200 MHz



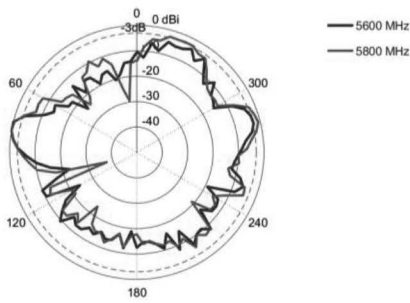
Elevation 2: 2400 - 2500 MHz



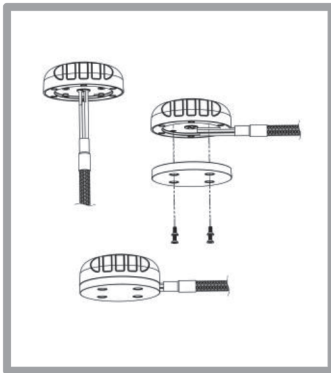
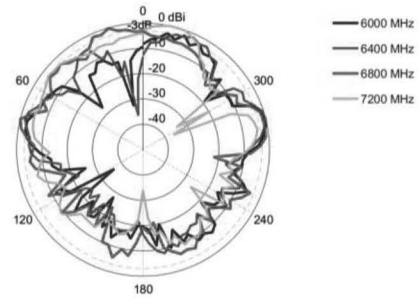
Elevation 2: 5000 - 5400 MHz



Elevation 2: 5600 – 5800 MHz

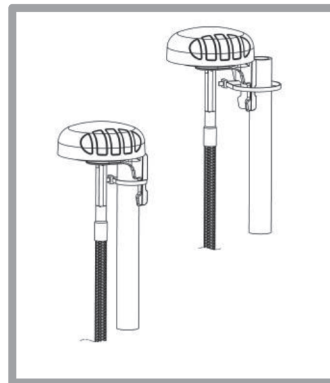


Elevation 2: 6000 – 7200 MHz



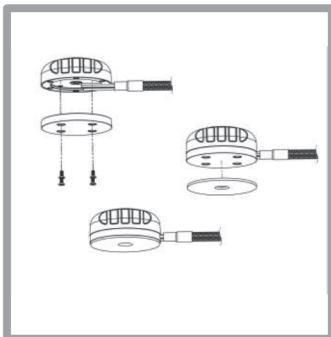
Magnetic Mount

Magnetic Base (included)
For temporary and low mobility installations.



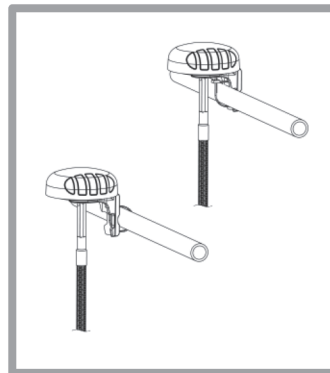
Vertical Pole Mount

Pole/Wall Mounting bracket



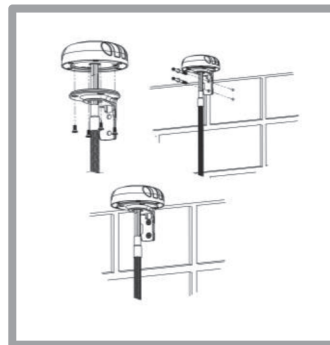
Surface Mount

Adhesive Surface Mounting (included) or can also be directly secured with longer M4 bolts (not included) to the female threaded inserts located in the antenna base



Horizontal Pole Mount

Pole/Wall Mounting bracket



Wall Mount

Pole/Wall Mounting bracket