

RF Coaxial Attenuator DC-6000 MHz, Male/Female



- ❖ Wide Band design covering DC-6GHz supporting Public Safety bands in VHF, UHF, 700/800; 3G/4G LTE/5G networks
- ❖ Highly reliable design with improved attenuation accuracy
- ❖ Suitable for indoor and outdoor applications
- ❖ Compact size and light weight; Easy to be installed

Product Description	w/ 4.3-10 Male – 4.3-10 Female Connector		w/ N-type Male to N-type Female Connector	
	Ventev Part #	SKU	Ventev Part #	SKU
3dB Attenuator	VEN-A0506-03-4MF	Contact Sales	VEN-A0506-03-NMF	288714
5dB Attenuator	VEN-A0506-05-4MF	Contact Sales	VEN-A0506-05-NMF	264847
6dB Attenuator	VEN-A0506-06-4MF	Contact Sales	VEN-A0506-06-NMF	281306
8dB Attenuator	VEN-A0506-08-4MF	Contact Sales	VEN-A0506-08-NMF	259983
10dB Attenuator	VEN-A0506-10-4MF	Contact Sales	VEN-A0506-10-NMF	230412
13dB Attenuator	VEN-A0506-13-4MF	Contact Sales	VEN-A0506-13-NMF	265235
15dB Attenuator	VEN-A0506-15-4MF	Contact Sales	VEN-A0506-15-NMF	282600
20dB Attenuator	VEN-A0506-20-4MF	Contact Sales	VEN-A0506-20-NMF	255510
30dB Attenuator	VEN-A0506-30-4MF	Contact Sales	VEN-A0506-30-NMF	294203

Electrical Specifications						
Ventev Part #	VEN-A0506-03-xMF VEN-A0506-05-xMF	VEN-A0506-06-xMF VEN-A0506-08-xMF	VEN-A0506-10-xMF	VEN-A0506-13-xMF VEN-A0506-15-xMF	VEN-A0506-20-xMF	VEN-A0506-30-xMF
Operating Frequency Band	DC – 6000 MHz					
Attenuation Tolerance (dB)	±0.5	±0.5	±0.8	±0.8	±1.0	±1.3
VSWR	≤1.25					
Avg. Power / Peak Power (W) ₁	5 W @25°C / 500 W					
Impedance (Ω)	50 Ω					
Connectors	4.3-10 Male to 4.3-10 Female OR N-Male to N-Female (Follow SKU table)					

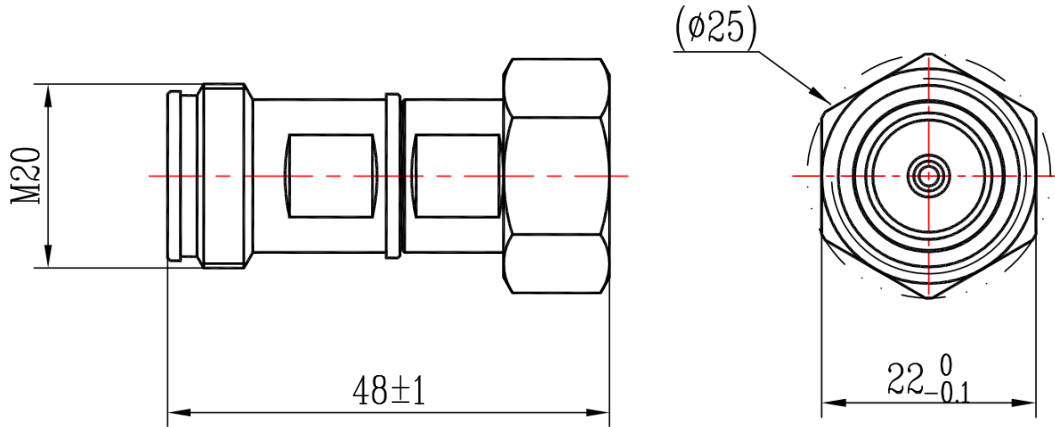
Mechanical Specifications	
Dimensions	Ø 0.65 x 2.3" (N-type Conn) Ø 1.0 x 1.9" (4.3-10 Conn)
Product Weight	0.15 lbs (N-type Conn) 0.13 lbs (4.3-10 Conn)
Body and Color	Brass, Silver White

Environmental Specifications	
Operating Temperature	-55 °C to +95 °C
Operating Humidity	Up to 95%

1. Average Power derated linearly to 1.5W @95°C

RF Coaxial Attenuator DC-6000 MHz, Male/Female

4.3-10 Male – 4.3-10 Female



N-type Male – N-type Female

