

Wi-Fi Right Angle Wall Bracket

Ventev's Wi-Fi Right Angle Bracket is designed to provide optimal Wi-Fi coverage indoors. The mount fits most indoor access points and provides maximum protection from dust and tampering without RF interference. Ideal for warehouses, hospitals, campuses and universities. Easy to deploy and ensures safe and reliable installation.



Wi-Fi Right Angle Bracket with Lid

SKU	521473
Model Number	TW-HWM-C-CVR
Dimensions	9.21 x 7.11 x 5.24 in
Weight	2.85 lbs.
Mounting Style	Wall Mount
Construction	Powder Coated Steel

Wi-Fi Right Angle Bracket without Lid

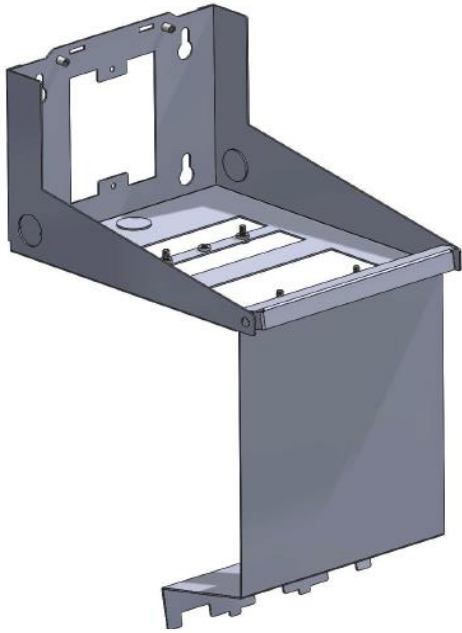
SKU	538527
Model Number	TW-HWM-C-NC
Dimensions	9.21 x 7.11 x 5.24
Weight	1.75 lbs.
Mounting Style	Wall Mount
Construction	Powder Coated Steel

FEATURES AND BENEFITS

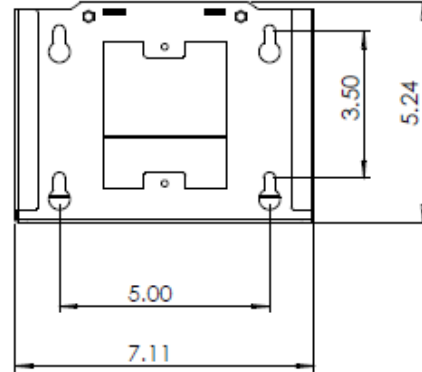
- Constructed of powder-coated steel
- Mounts to wall surface or secures directly to a single gang electrical box
- Aesthetically pleasing mount for most wireless access points
- Mounts access point horizontally for improved performance
- Rigid base design for improved durability
- Right Angle Bracket with Cover conceals cabling and data outlet
- Cover swings down for access to AP and cables
- Reduces installation and maintenance time and costs
- Lightweight, low-profile design

Wi-Fi Right Angle Wall Bracket

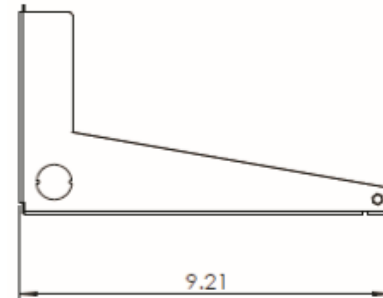
Right Angle Wall Mount with Cover Open



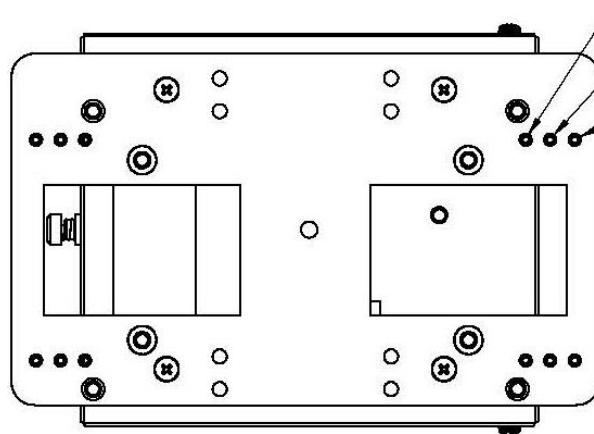
Back View



Side View



Adapter Plate for Meraki Access Points



- MR33
- MR42
- MR36
- MR46
- MR45
- MR52
- MR55