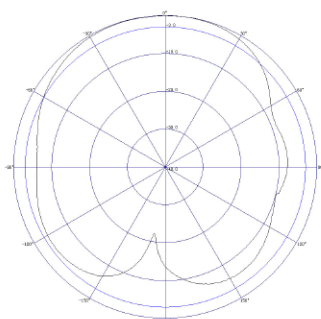




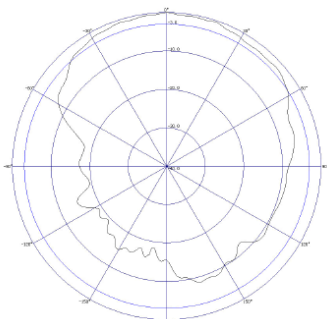
## TerraWave Solutions® 698-960/1710-2700 MHz 5/7 dBi High Gain Ceiling Mount Antenna with N-Style Jack Connector

TerraWave's 698-960/1710-2700 MHz 5/7 dBi high gain ceiling mount antenna is designed for indoor wireless networks operating in the LTE, Cellular or 2.4GHz frequency range. This antenna is ideal for any indoor voice and data wireless system. Includes an N-style Jack connector and a ceiling mount. Every TerraWave antenna is covered by the Company's two-year TerraNet warranty program. For questions and to purchase product, contact a wireless networking regional sales executive at 210-375-8482, 800-851-4965 or sales@terrawave.com. Visit www.terrawave.com for additional information.

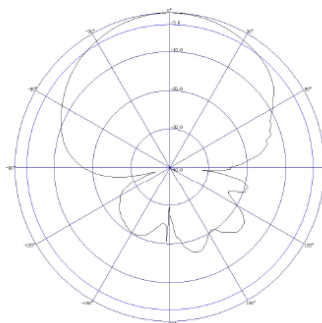
Specifications	
Model	M3050070011206
Frequency Range	698-960 MHz / 1710-2700 MHz
Gain	5 / 7 dBi
Polarization	Vertical
Horizontal Beamwidth	95°±15° / 75°±15°
Vertical Beamwidth	100° / 70°
VSWR	698-806/806-960: ≤ 2.0 1710-2500: ≤ 1.5 2500-2700: ≤ 2.0
Nominal impedance	50 Ohm
Maximum Power Rating	100 W
Dimension	6.69" x 2.83"
Weight	.88 lbs
Connector Type	N-Style Jack
Mounting	Ceiling



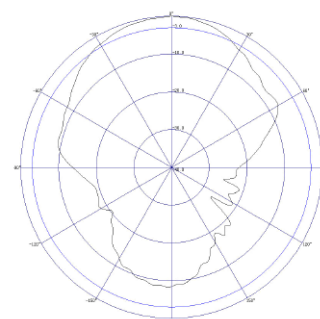
E-Plane: 720MHz



H-Plane: 720MHz



E-Plane: 2105MHz



H-Plane: 2105MHz

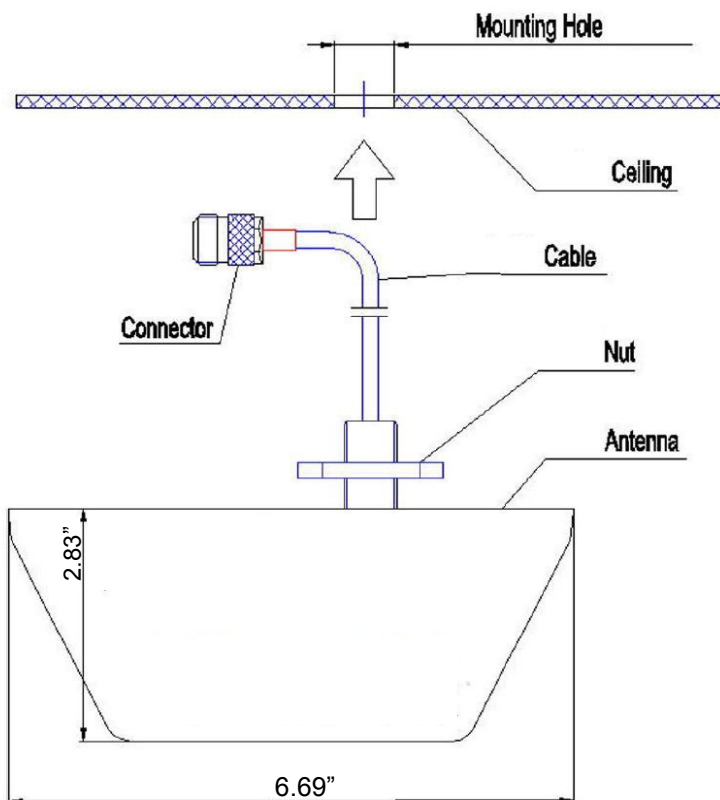


## TerraWave Solutions® 698-960/1710-2700 MHz 5/7 dBi High Gain Ceiling Mount Antenna with N-Style Jack Connector

### Mounting Information for M3050070O11206

#### Installation Instructions

1. Drill a .71" installation hole on the ceiling
2. Fix the antenna on the ceiling with nut.
3. Connect the antenna and the system. It is recommended to cover the connector with waterproof tape for further protection.



To achieve maximum beam width:

