

# CEL-FI™ WHIP ANTENNA

## Omnidirectional Coverage Antenna

The Cel-Fi Whip Antenna is an ultra-wideband, omnidirectional server antenna for Cel-Fi cellular and public safety network deployments. Supporting 5G-NR, 4G-LTE, and LMR applications, the antenna offers improved efficiency and gain for application-specific service bands, while its hinged design enables the antenna to swivel for installation flexibility. This antenna is ideal for Cel-Fi QUATRA, GO, SOLO, and COMPASS products.



### Key Features

- Developed for Ultra-Wideband Operation from 410-5925 MHz
- Standard SMA Male RF Interface for Direct Installation on Cel-Fi Products
- Compact Form Factor for Aesthetically Pleasing Deployments
- Install Orientation Flexibility Due to Hinged Design
- Ground Plane Independent

#### Works with the following Cel-Fi products:



Cel-Fi QUATRA  
4000/4000i/4000e



Cel-Fi SOLO



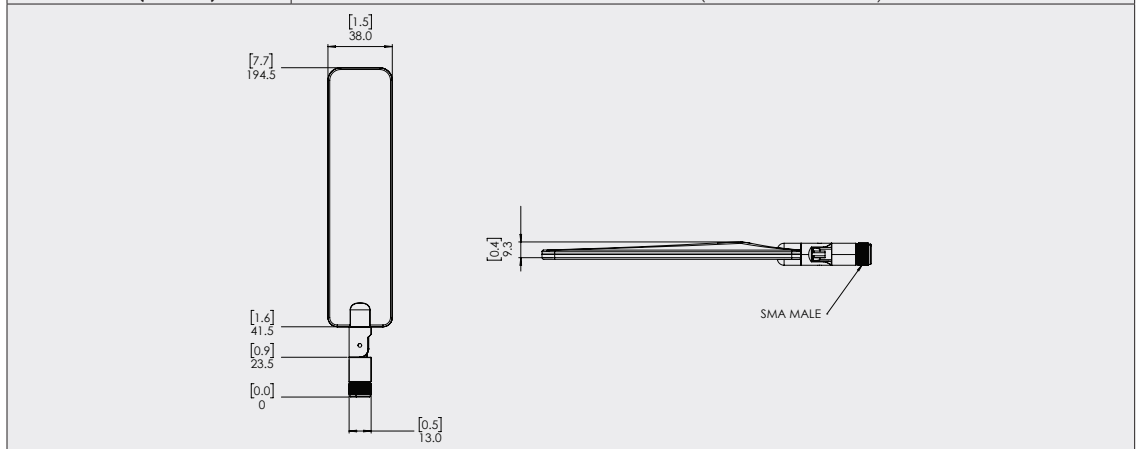
Cel-Fi GO



Cel-Fi COMPASS

ELECTRICAL SPECIFICATIONS					
Service Bands	450	600, 700, 800, 850, 900	1500, 1600, 1700, 1800, 1900, 2000, 2100, 2300, 2500, 2600	3300, 3500, 3600, 3700, 4500	5200, 5500, 5800
Return Loss (dB) Typ.	-8.3	-14.3	-8.2	-6.8	-10.6
Efficiency (%) Typ.	20.6	40.8	60	40.8	30.9
Peak Gain (dBi) Typ.	4.5	0.5	2.1	1.5	2.5
Avg Gain (dB) Typ.	-7.0	-4.2	-2.4	-4.4	-5.5
Impedance (Ω) Nom.	50				
Polarization	Linear/Vertical				
Radiation Pattern	Omni				
Input Power (W) Max.	25 W				
Connector	SMA Male				

MECHANICAL SPECIFICATIONS	
Housing Material	PC/ABS UV Stable
Housing Color	Black
Antenna	Hinged
Operating Temperature	-40°C to +85°C
Storage Temperature	-40°C to +85°C
Ingress Protection	Indoor Only
RoHS	Compliant
REACH	Compliant
Dimensions (LxWxH)	6.8 x 1.5 x 0.4 in (171 x 38 x 9.3 mm)



Copyright © 2022 by Nextivity, Inc, U.S. All rights reserved. The Nextivity and Cel-Fi logos are registered trademarks of Nextivity Inc. All other trademarks or registered trademarks listed belong to their respective owners. Designed by Nextivity in California. data\_antenna-whip\_22-0408