

AC Surge Protector SPD I2R-T240 DIN-Rail 230 Vac 3-Phase Wye + CM MOV, GDT 40 kA, IEC 61643-11 Class II, CE, RoHS



I2R-T240-4PG230

Features

- IEC61643-11 Class II
- High Capacity MOV Protection
- Visual Suppression Status Indicator
- Dry Contact Remote Annunciation Wire Leads
- Replaceable Suppression Modules
- Wire and Comb Busbar Wiring Terminals
- Reversible Chassis for Top or Bottom Wiring
- DIN-Rail Mount
- Dry Contact Remote Annunciation Terminals

Applications

- Electrical Panelboards
- Industrial Automation
- Communications Base Stations
- IT & Data Centers
- Switchgear
- Motor Control Centers
- Automatic Transfer Switches
- Wastewater Treatment
- Oil & Gas
- LED Lighting
- Schools
- Hospitals
- Mining
- Photovoltaic and Wind

Description

AC surge protector (also known as SPD or lightning protector) I2R-T240-4PG230 from Transtector is a DIN-Rail style SPD that utilizes state of the art MOV/GDT technology to protect critical equipment that operates on a 230 Vac 3-Phase Wye + CM electrical service. This surge protector provides effective protection against electrical transient surges that are generated both by external lightning events and by internal switching events and supports long-term system reliability by safely shunting high amounts of transient energy while maintaining a very low clamping voltage. Transtector AC surge protectors are available in stock with same day shipping.

Electrical Specifications

Description	Minimum	Typical	Maximum	Units
Service Voltages		230		Vac
Service Type		3-Phase Wye + CM		
Frequency	50		400	Hz
Maximum Continuous Operating Voltage (MCOV)				
L - N Backup Fuse		125	275	Vac A gL/gG

Surge Protection Specification

Description	Minimum	Typical	Maximum	Units
-------------	---------	---------	---------	-------

Click the following link (or enter part number in "SEARCH" on website) to obtain additional part information including price, inventory and certifications:
[AC Surge Protector SPD I2R-T240 DIN-Rail 230 Vac 3-Phase Wye + CM MOV, GDT 40 kA, IEC 61643-11 Class II, CE, RoHS I2R-T240-4PG230](#)

AC Surge Protector SPD I2R-T240 DIN-Rail 230 Vac 3-Phase Wye
 + CM MOV, GDT 40 kA, IEC 61643-11 Class II, CE, RoHS



I2R-T240-4PG230

Surge Protection Technology	MOV, GDT		
Protection Modes	L-N, N-PE		
8/20 μ s Surge Current		40	kA
Nominal Discharge Current Rating (In)	20		kA
VPR 8/20 μ s			
L - N		1,300	Vpk
N - G		1,500	Vpk
Response Time		25	ns
SCCR (Short Circuit Current Rating)	25		kAIC

Mechanical Specifications

Size

Height	2.992 in	[76 mm]
Width	3.543 in	[89.99 mm]
Depth	2.835 in	[72.01 mm]
Weight	0.99 lbs	[449.06 g]
Housing Material and Plating	PA66 CT1; V-0	

Environmental Specifications

Temperature Range (Operational)	-40 to +80 deg C
Temperature Range (Storage)	-40 to +80 deg C
Environmental Protection Rating	IP 20
Humidity	95% non-condensing

Installation

Mount Type	DIN Rail
Service Wiring Terminal	Compression Lug #1 to #9 AWG
Status Indication Terminal	3-Position Screw Terminal #16 to #22 AWG

Compliance Certifications

RoHS Compliant	Yes
CE Compliant	Yes
Certifications	IEC 61643-11 Class II

Click the following link (or enter part number in "SEARCH" on website) to obtain additional part information including price, inventory and certifications:
[AC Surge Protector SPD I2R-T240 DIN-Rail 230 Vac 3-Phase Wye + CM MOV, GDT 40 kA, IEC 61643-11 Class II, CE, RoHS I2R-T240-4PG230](#)

AC Surge Protector SPD I2R-T240 DIN-Rail 230 Vac 3-Phase Wye
+ CM MOV, GDT 40 kA, IEC 61643-11 Class II, CE, RoHS

I2R-T240-4PG230



Transtector Systems specializes in protection of highly sensitive, low voltage equipment through its patented, non-degrading silicon diode technology and custom filters. Our power quality expertise translates into a diverse product offering including AC, DC, and signal applications as well as integrated cabinets, power distribution panels and EMP hardened devices.

Click the following link (or enter part number in "SEARCH" on website) to obtain additional part information including price, inventory and certifications: [AC Surge Protector SPD I2R-T240 DIN-Rail 230 Vac 3-Phase Wye + CM MOV, GDT 40 kA, IEC 61643-11 Class II, CE, RoHS I2R-T240-4PG230](#)

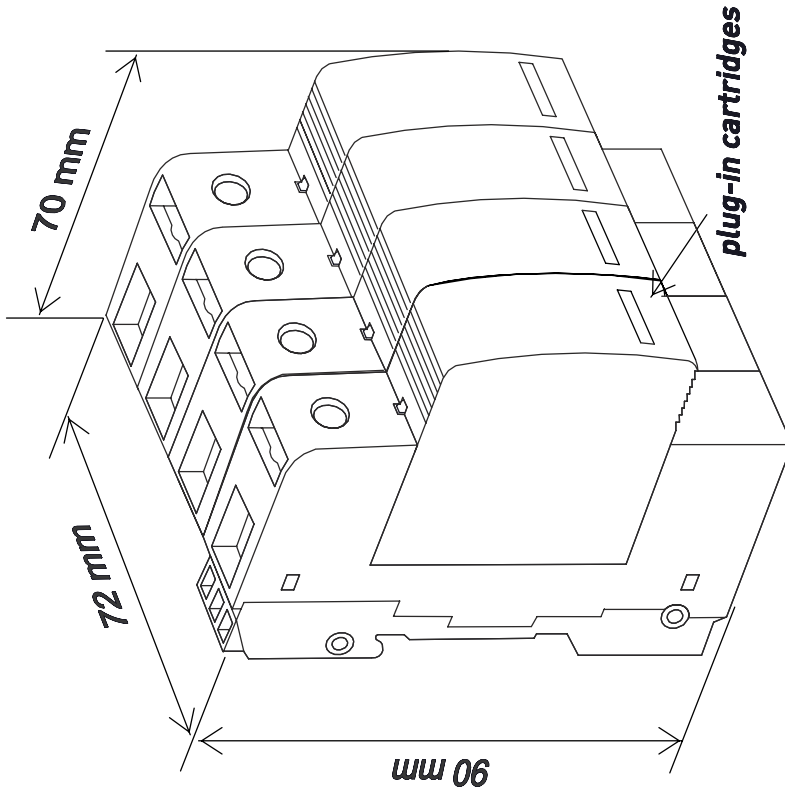
URL: <https://www.transtector.com/ac-surge-protector-spd-i2r-t240-din-i2r-t240-4pg230-p.aspx>

The information contained in this document is accurate to the best of our knowledge and representative of the part described herein. It may be necessary to make modifications to the part and/or the documentation of the part, in order to implement improvements. Transtector reserves the right to make such changes as required. Unless otherwise stated, all specifications are nominal. Transtector does not make any representation or warranty regarding the suitability of the part described herein for any particular purpose, and Transtector does not assume any liability arising out of the use of any part or documentation.

AC Surge Protector SPD I2R-T240 DIN-Rail 230 Vac 3-Phase Wye +
CM MOV, GDT 40 kA, IEC 61643-11 Class II, CE, RoHS

I2R-T240-4PG230 CAD Drawing

REVISIONS		
REV.	DESCRIPTION	DATE
A	INITIAL RELEASE	1/17/19
		APPROVED
		DWR



UNLESS OTHERWISE SPECIFIED LEADING DIMENSIONS ARE INCHES DIMENSIONS IN [] ARE MILLIMETERS	TRANSTECTOR	THE INFORMATION AND DESIGN IN THIS DOCUMENT IS THE PROPERTY OF TRANSTECTOR CORPORATION. ALL RIGHTS RESERVED.
TOLERANCES: .X±.2 [5,08] XX±.01 [.25] XXX±.005 [.13]	10701 AIRPORT ROAD, HAYDEN, ID, 83835 PHONE: 1.208.635.6400 1.800.882.9110 FAX: 1.208.955.2041 www.transvector.com e-mail: sales@transvector.com	SHEET 1 OF 1
ALL DIMENSIONS SHOWN ARE FOR REFERENCE ONLY.	SIZE CAGE A 30992	SCALE NTS
THIRD-ANGLE PROJECTION	DRAWN BY HMB	REV A
	PART NUMBER I2R-T240-4PG230	

THESE COMMODITIES, TECHNOLOGY OR SOFTWARE WERE EXPORTED FROM THE UNITED STATES IN ACCORDANCE WITH THE EXPORT ADMINISTRATION REGULATIONS. DIVERSION CONTRARY TO U.S. LAW PROHIBITED.

T-Rev A