

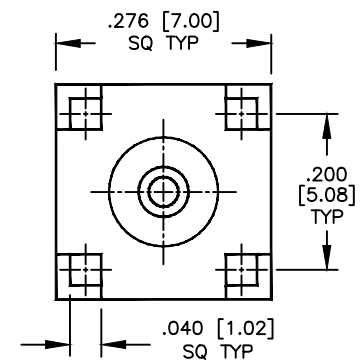
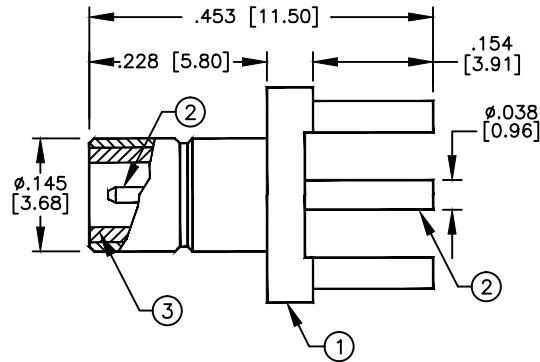
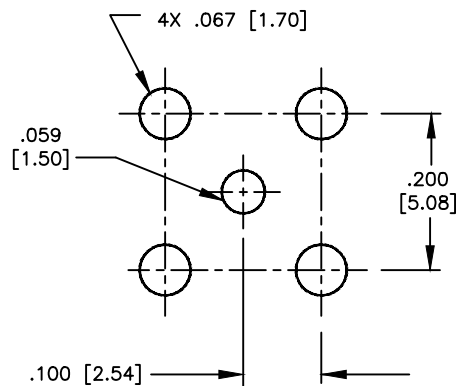
# SPECIFICATION CONTROL DRAWING

THIS DRAWING CONTAINS INFORMATION PROPRIETARY TO RF INDUSTRIES, LTD. ANY UNAUTHORIZED USE OF THIS DRAWING IS EXPRESSLY PROHIBITED. ANY VIOLATION IS PUNISHABLE UNDER U.S. COPYRIGHT LAWS.

REV	DESCRIPTION	DWN	DATE	APPROVED
A	ENGINEERING RELEASE	KMM	4/19/95	R. RICE
B	CHANGE MOUNTING CONFIGURATION	CZS	3/13/98	R. RICE

ALL DIMENSIONS ARE REFERENCE ONLY

008974



## SPECIFICATIONS:

IMPEDANCE: 50 OHMS

DIMENSIONS ARE IN INCHES AND [MILLIMETERS]

UNLESS OTHERWISE NOTED TOLERANCES ARE:

DECIMALS      DIAMETER

DRAWN  
C. ZUNIGA      3/13/98

CHECKED

ORJ DRAWN  
K. MAXWELL      4/19/95

APPROVALS      DATE

RFconnectors

DIVISION OF RF INDUSTRIES, LTD.

7610 MIRAMAR RD  
SAN DIEGO, CA 92126  
(619)549-6340  
(619)549-6345 FAX

## RSB-4350-1

SMB VERTICAL PCB MOUNT JACK

ITEM	DESCRIPTION	QTY	MATERIAL	FINISH
3	DIELECTRIC	1	PTFE	NONE
2	CONTACT	1	BRASS	GOLD
1	BODY	1	BRASS	GOLD

SIZE	CABLE GROUP	DWG NO.	REV
A	N/A	8495	B
SCALE: 4:1		CAD FILE 13ARC B	SHEET 1 OF 1