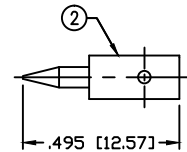
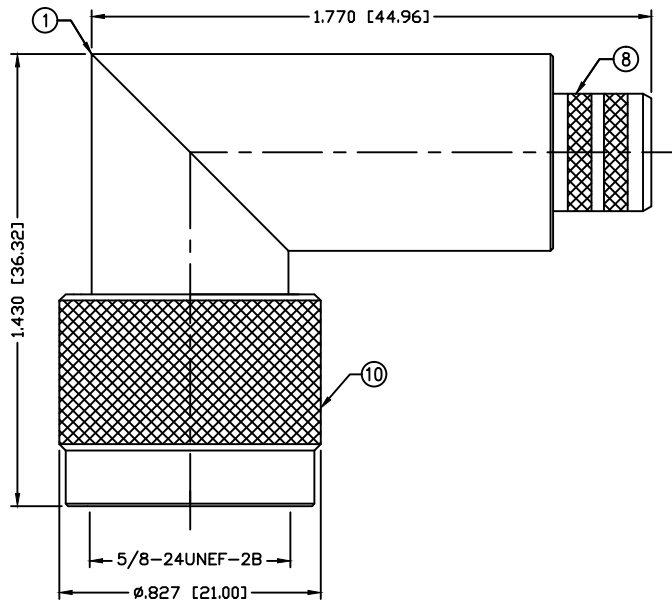


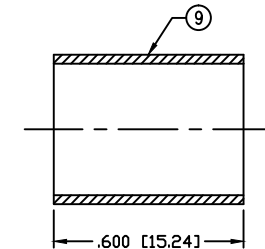
PART NO.

RFN-1009-3F

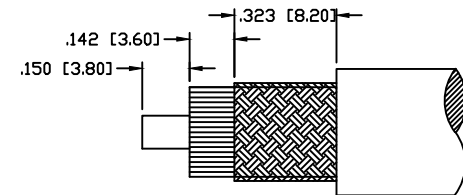
REV	DESCRIPTION	DWN	DATE	APPROVED
-	ENGINEERING RELEASE	CZS	09/18/15	JDMc



RECOMMENDED CRIMP DIE: .118"



RECOMMENDED CRIMP DIE: .429"



RECOMMENDED STRIPPING INSTRUCTIONS

SPECIFICATIONS:

IMPEDANCE: 50 Ohms
 FREQUENCY RANGE: 0-9 GHz
 VSWR: 1.5 Max. @ 9 GHz
 WORKING VOLTAGE: 1k V rms @ sea level
 TEMPERATURE RANGE: -65°C TO 85°C
 INSULATION RESISTANCE: 5k M Ohms min.
 FOR RG-9, 9A, 9B, 214 & 393/U, BELDEN 8242 & 8268 CABLE

12	GASKET	1	SILICONE	---
11	RATAINING RING	1	BRASS	SILVER, 80 μ "
10	SHELL	1	BRASS	SILVER, 80 μ "
9	FERRULE	1	BRASS	SILVER, 80 μ "
8	FERRULE STUD	1	BRASS	SILVER, 80 μ "
7	GROUND RING	1	BRASS	SILVER, 80 μ "
6	INSULATOR	1	PTFE	---
5	INSULATOR	1	PTFE	---
4	PIN	1	BRASS	GOLD, 3 μ "
3	PIN	1	BRASS	GOLD, 3 μ "
2	PIN	1	BRASS	GOLD, 3 μ "
1	BODY	1	BRASS	SILVER, 80 μ "
#	DESCRIPTION	QTY	MATERIAL	FINISH

CUSTOMER
OUTLINE DRAWINGALL DIMENSIONS
ARE REFERENCE ONLYUNLESS OTHERWISE SPECIFIED:
DIMENSIONS ARE IN INCHES
AND [MILLIMETERS]DRAWN
C. ZUNIGA 09/18/15

CHECKED

ORJ DRAWN
C. ZUNIGA 09/18/15**RoHS
COMPLIANT**

PROPRIETARY AND CONFIDENTIAL
 THIS DRAWING CONTAINS
 INFORMATION PROPRIETARY TO
 RF INDUSTRIES. ANY
 UNAUTHORIZED USE OF THIS
 DRAWING IS EXPRESSLY
 PROHIBITED WITHOUT WRITTEN
 PERMISSION FROM RF
 INDUSTRIES. ANY VIOLATION IS
 PUNISHABLE UNDER U.S.
 COPYRIGHT LAWS.

RFconnectors
 DIVISION OF RF INDUSTRIES, LTD.

7610 MIRAMAR RD.
 SAN DIEGO, CA 92126
 (858) 549-6340
 (858) 549-6345 FAX

N PLUG, CRIMP

RIGHT ANGLE

SIZE	CABLE GROUP	DWG NO.	REV
A	F	RFN-1009-3F	---
SCALE:	ENGINEERING ID:	SHEET 1 OF 1	
NTS	000000		