

ENVELOPE / ASSEMBLY DRAWING

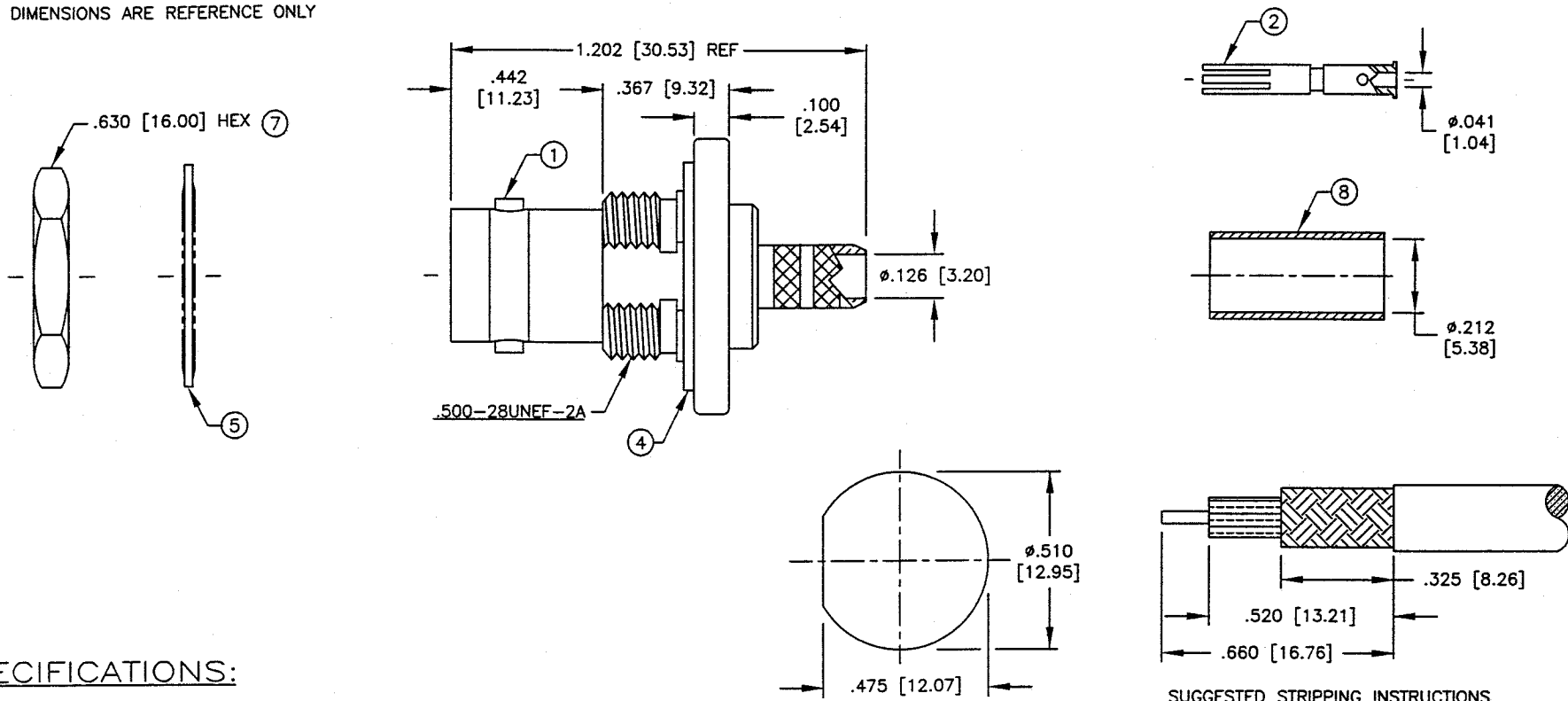
000486

SPECIFICATION CONTROL DRAWING

THIS DRAWING CONTAINS INFORMATION PROPRIETARY TO RF INDUSTRIES, LTD. ANY UNAUTHORIZED USE OF THIS DRAWING IS EXPRESSLY PROHIBITED. ANY VIOLATION IS PUNISHABLE UNDER U.S. COPYRIGHT LAWS.

REV	DESCRIPTION	DWN	DATE	APPROVED
-	ENGINEERING RELEASE	CZS	1/11/00	J. D. McR

ALL DIMENSIONS ARE REFERENCE ONLY



SPECIFICATIONS:

IMPEDANCE: 50 OHMS
 WORKING VOLTAGE: 500 VRMS @ SEA LEVEL
 FREQUENCY RANGE: 0-4 GHz
 INSERTION LOSS: \leq -.2dB @ 3 GHz
 VSWR MAX: 1.4:1 @ 3 GHz
 FOR RG-58, 58A, 58C, 141, 141A, BELDEN 8240,
 8259, 8262, 9201, 9203, 9310, 9311 & COMM/SCOPE 0268
 INTERFACE PER MIL-STD-348, SECTION 301.2

SUGGESTED MOUNTING CONFIG

SUGGESTED STRIPPING INSTRUCTIONS

SUGGESTED DIES: .213 & .068

DIMENSIONS ARE IN INCHES AND [MILLIMETERS]

UNLESS OTHERWISE NOTED TOLERANCES ARE:
 DECIMALS DIAMETER

RF connectors
 DIVISION OF RF INDUSTRIES, LTD.

7610 MIRAMAR RD
 SAN DIEGO, CA 92126
 (858) 549-6340
 (858) 549-6345 FAX

ITEM	DESCRIPTION	QTY	MATERIAL	FINISH
8	FERRULE [FER-103]	1	BRASS	NICKEL
7	HEX NUT [HEX-500-28E]	1	BRASS	NICKEL
6	PRESS FIT WASHER	1	BRASS	NICKEL
5	LOCKWASHER [LKW-500]	1	SK-5	NICKEL
4	GASKET [GSB-480-640]	1	S.I. RUBBER	RED
3	DIELECTRIC	1	DELTRIN	NONE
2	CONTACT	1	BRASS	GOLD
1	BODY	1	BRASS	NICKEL

DRAWN	C. ZUNIGA	1/11/00
CHECKED	<i>DDM</i>	1-12-00
ORJ DRAWN	C. ZUNIGA	1/11/00
APPROVALS	DATE	

RFB-1117			
BNC FEMALE CRIMP BULKHEAD			
SIZE	CABLE GROUP	DWG NO.	REV
A	C	RFB1117	-
SCALE: 2:1	CAD FILE 13ARC B	SHEET 1 OF 1	