

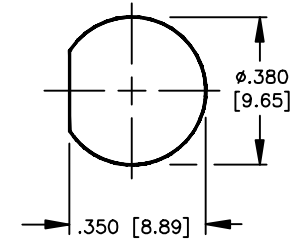
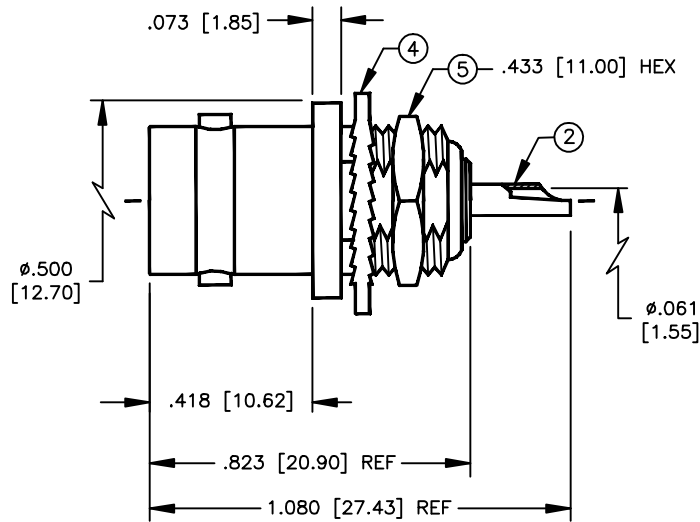
SPECIFICATION CONTROL DRAWING

THIS DRAWING CONTAINS INFORMATION PROPRIETARY TO RF INDUSTRIES, LTD. ANY UNAUTHORIZED USE OF THIS DRAWING IS EXPRESSLY PROHIBITED. ANY VIOLATION IS PUNISHABLE UNDER U.S. COPYRIGHT LAWS.

REV	DESCRIPTION	DWN	DATE	APPROVED
A	ENGINEERING RELEASE	KMM	1/9/96	R. RICE
B	MAKE 1 PC DIE/ADD BARBS TO CONT/REMOVE PRESS FIT WASH	BMA	1/27/97	R. RICE
C	ADD STRAIGHT KNURL TO CONTACT	BMA	3/20/97	R. RICE
D	CONTACT NOW PHOS BRONZE / UPDATE DWG	CZS	8/16/99	R. RICE

000000

ALL DIMENSIONS ARE REFERENCE ONLY



SUGGESTED MOUNTING CONFIGURATION

SPECIFICATIONS:

IMPEDANCE: 50 OHMS
 WORKING VOLTAGE: 500 VRMS @ SEA LEVEL
 FREQUENCY RANGE: 0-4 GHz
 INTERFACE PER MIL-STD-348, SECTION 301.2

DIMENSIONS ARE IN INCHES AND [MILLIMETERS]

UNLESS OTHERWISE NOTED TOLERANCES ARE:
 DECIMALS DIAMETER

RF connectors
 DIVISION OF RF INDUSTRIES, LTD.

7610 MIRAMAR RD
 SAN DIEGO, CA 92126
 (858) 549-6340
 (858) 549-6345 FAX

RFB-1116-3

BNC FEMALE BULKHEAD WITHOUT SOLDER LUG

ITEM	DESCRIPTION	QTY	MATERIAL	FINISH
5	HEX NUT [HEX-375-32E-1]	1	BRASS	NICKEL
4	LOCKWASHER [LKW-380-1]	1	BRASS	NICKEL
3	DIELECTRIC	1	PTFE	NONE
2	CONTACT	1	PHOS BRONZE	GOLD
1	BODY	1	BRASS	NICKEL

DRAWN	C. ZUNIGA	8/16/99
CHECKED		
ORJ DRAWN	K. MAXWELL	1/9/96
APPROVALS		DATE

SIZE	CABLE GROUP	DWG NO.	REV
A	N/A	8594	D
SCALE:	2:1	CAD FILE	13ARC B
			SHEET 1 OF 1