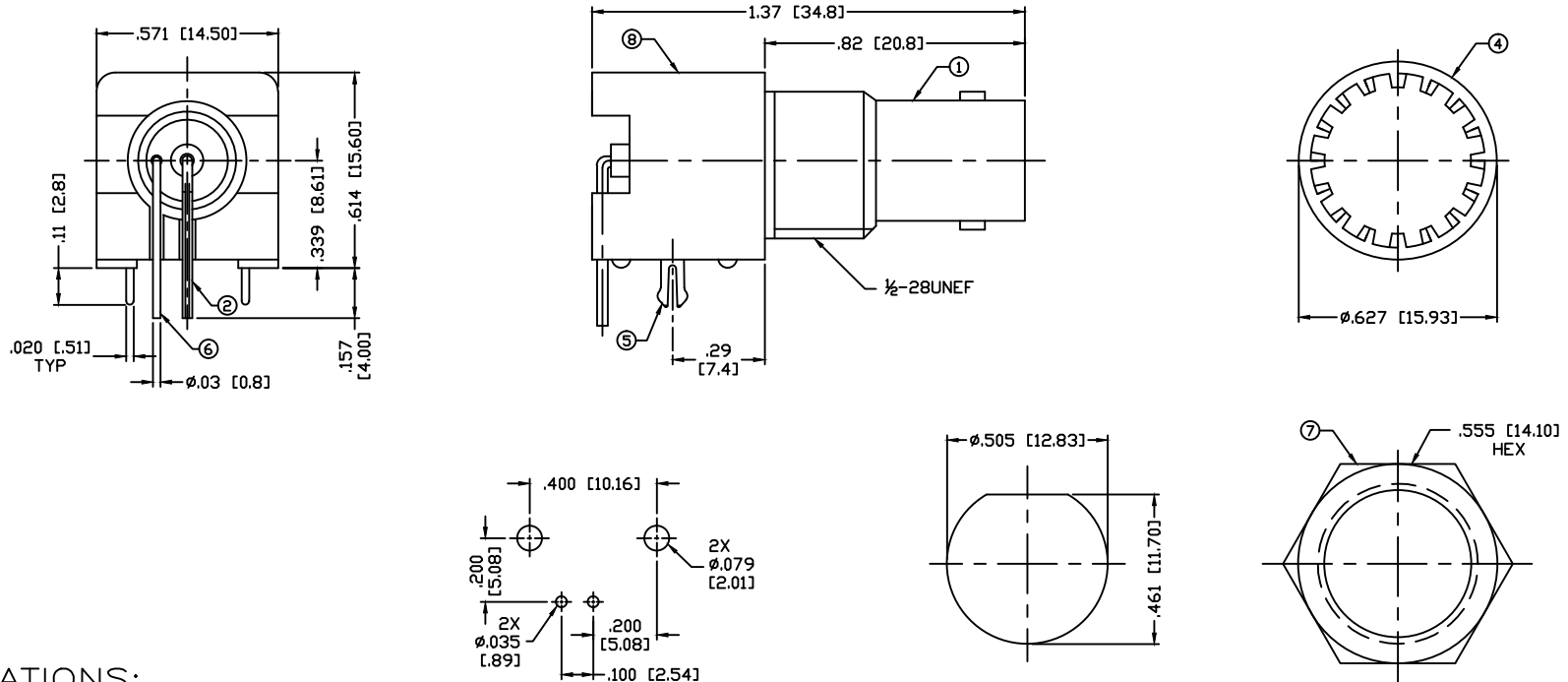


THIS DRAWING CONTAINS INFORMATION PROPRIETARY TO RF INDUSTRIES,
 ANY UNAUTHORIZED USE OF THIS DRAWING IS EXPRESSLY PROHIBITED
 WITHOUT WRITTEN PERMISSION FROM RF INDUSTRIES.
 ANY VIOLATION IS PUNISHABLE UNDER U.S. COPYRIGHT LAWS.

ALL DIMENSIONS ARE REFERENCE ONLY

PART NO.		RFB-1113-W-03		
REV	DESCRIPTION	DWN	DATE	APPROVED
-	ENGINEERING RELEASE	CZS	11/12/02	JDMc



SPECIFICATIONS:

IMPEDANCE: 50 Ohms
 FREQUENCY RANGE: 0-2 GHz
 WORKING VOLTAGE: 500 V rms @ sea level
 TEMPERATURE RANGE: -55°C TO 85°C

RECOMMENDED MOUNTING CONFIGURATION

RECOMMENDED PANEL CUTOUT

1	BNC BODY	1	DIECAST	NICKEL, 100μ"	000360	
2	CONTACT	1	BRASS	GOLD/TIN		
3	INSULATOR	1	POLYPROPYLENE	---		
4	LOCK WASHER	1	PHOS BRONZE	NICKEL, 100μ"		
5	SNAP LEGS	2	BRASS	TIN		
6	GROUND PIN	1	COPPER	TIN		
7	HEX NUT	1	BRASS	NICKEL, 100μ"		
8	BODY	1	PBT	WHITE		
9						
10						
11						
12						
13						
14						
#	DESCRIPTION	QTY	MATERIAL	FINISH	APPROVALS	DATE

UNLESS OTHERWISE SPECIFIED:

DIMENSIONS ARE IN INCHES
 AND [MILLIMETERS]
 UNLESS OTHERWISE NOTED
 TOLERANCES ARE:
 DECIMALS DIAMETER

RF connectors
 DIVISION OF RF INDUSTRIES, LTD.

7610 MIRAMAR RD
 SAN DIEGO, CA 92126
 (858) 549-6340
 (858) 549-6345 FAX

BNC JACK

RIGHT ANGLE, PCB MOUNT, SNAP LEGS, HIGH PROFILE

SIZE	CABLE GROUP	DWG NO.	REV
A	N/A	RFB-1113-W-03	-
SCALE: NTS		CAD FILE OUTLINE	SHEET 1 OF 1