

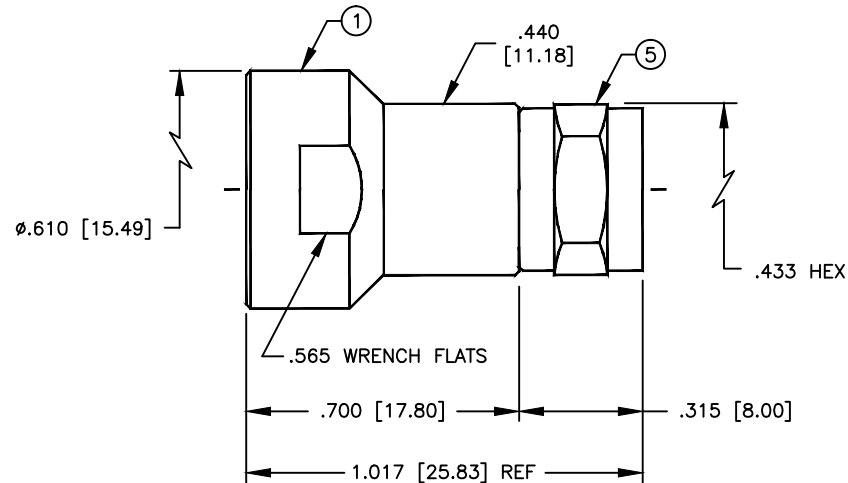
SPECIFICATION CONTROL DRAWING

THIS DRAWING CONTAINS INFORMATION PROPRIETARY TO RF INDUSTRIES, LTD. ANY UNAUTHORIZED USE OF THIS DRAWING IS EXPRESSLY PROHIBITED. ANY VIOLATION IS PUNISHABLE UNDER U.S. COPYRIGHT LAWS.

REV	DESCRIPTION	DWN	DATE	APPROVED
A	ENGINEERING RELEASE	CZS	7/22/99	R. RICE

ALL DIMENSIONS ARE REFERENCE ONLY

008974



SPECIFICATIONS:

IMPEDANCE: 50 OHMS
 WORKING VOLTAGE: 100 VRMS @ SEA LEVEL
 FREQUENCY RANGE: 0-300 MHz

DIMENSIONS ARE IN INCHES AND [MILLIMETERS]

UNLESS OTHERWISE NOTED TOLERANCES ARE:
 DECIMALS DIAMETER



7610 MIRAMAR RD
 SAN DIEGO, CA 92126
 (858) 549-6340
 (858) 549-6345 FAX

PT-4000-017

UNIDAPT TO F MALE

5	SHELL	1	BRASS	SILVER	DRAWN	7/22/99			
4	RETAINING RING SLEEVE	1	BRASS	SILVER	C. ZUNIGA	7/22/99	CHECKED		
3	DIELECTRIC	1	PTFE	NONE	ORJ DRAWN				
2	CONTACT	1	PHOS BRONZE	GOLD	C. ZUNIGA	7/22/99			
1	BODY	1	BRASS	SILVER	APPROVALS	DATE			

SIZE	CABLE GROUP	DWG NO.	REV
A	N/A	9214	A
SCALE: 2:1		CAD FILE 13ARC B	SHEET 1 OF 1