

Wideband Hybrid Coupler

HC-HS2AI / HC-HS2NI

Low PIM(-161dBc), 2x2 Hybrid coupler, 555-6000MHz

- Wideband design covering 555-6000MHz
 - 3G/4G LTE Network, CBRS, C-band and up to 6GHz
- Connects 2 inputs to 2 outputs
- Suitable for indoor/outdoor environment
- High reliability and low insertion loss



Electrical Specification

Product Model	HC-HS2NI	HC-HS2AI
Frequency (MHz)	555-6000	555-6000
Coupling Value (dB)	3.1 ± 0.8	3.1 ± 0.8
Insertion Loss (dB)	≤ 0.2	≤ 0.2
VSWR @ all ports	≤ 1.25	≤ 1.25
Isolation (dB)	≥ 20	≥ 20
PIM (dBc)	≤ -161 @ 2 x 43dBm	
Average Power, max (W)	200	
Peak Power, max (W)	1000	
Impedance (ohm)	50	

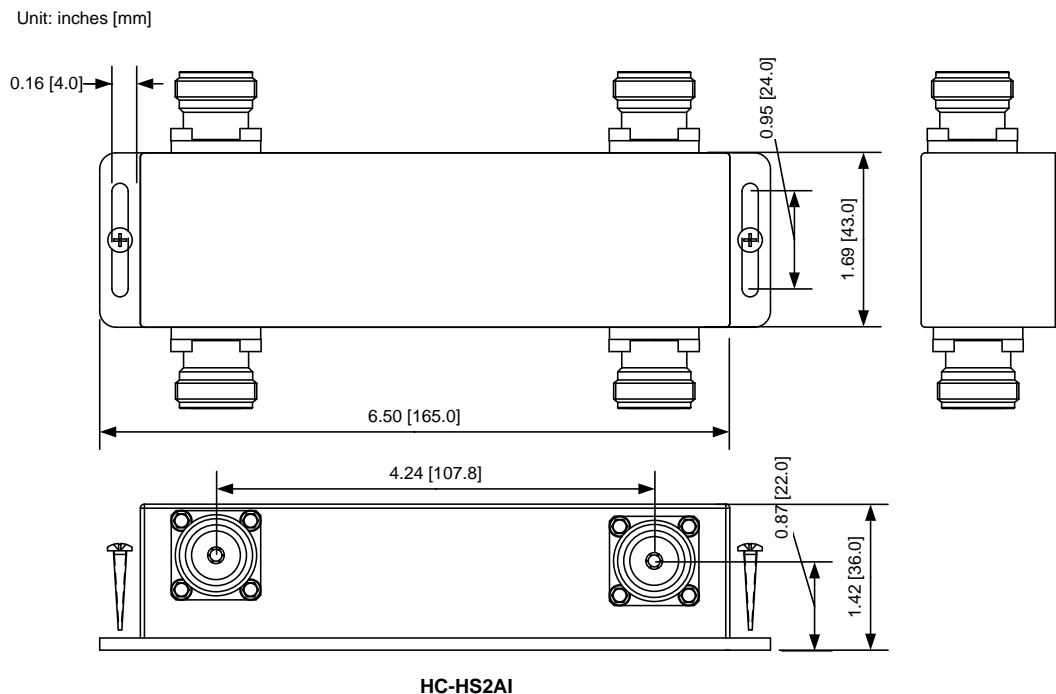
Mechanical Specification

Dimension (in/mm)	5.71x3.28x1.42 / 145.0x83.0x36.0
Weight (lb./kg)	1.26 / 0.57
Shipping Dimension (in/mm)	12.40x3.94x2.56 / 178.0x88.0x38.0
Shipping Weight (lb./kg)	1.41 / 0.64
Connector	HC-HSNI; N-type / HC-HS2AI; 4.3-10

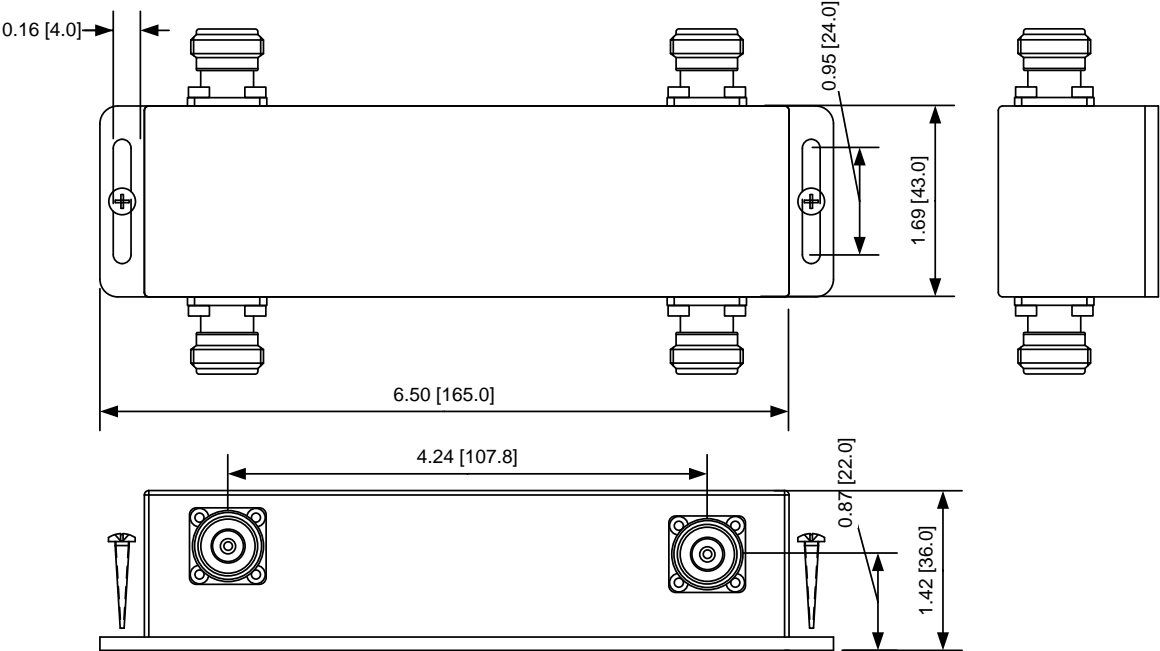
Environment & Compliance

Application	Outdoor / Indoor
Operating Temperature	-40°C to +85°C
Environment	IP65
Relative Humidity	Up to 95%
RoHS	Compliant

Outline Drawing



Unit: inches [mm]



HC-HS2NI