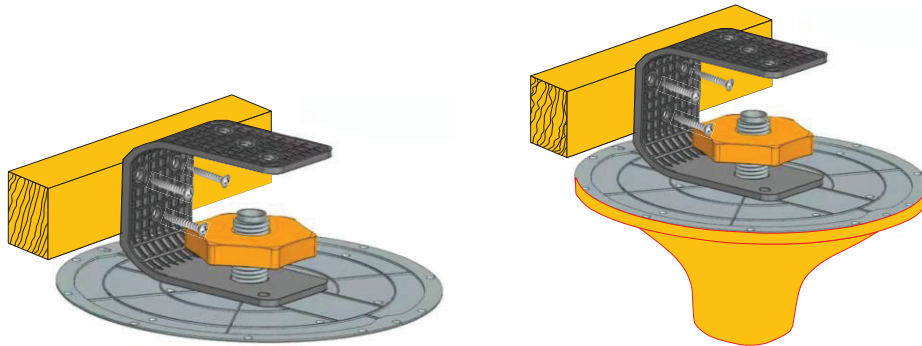


B. Joist Mounting

1. Insert the antenna supporting pole to the Mount hole C at the antenna bracket as shown below in picture and tighten the threaded nut of the antenna
2. Mount the antenna bracket with three wood screws (#14~#18 recommendation) at a joist as shown below in picture



Mechanical Specification

Shipping Dimension(in/mm)	7.09x4.72x3.15 / 180.0x120.0x80.0	Material & Color	ABS, White, RAL9003
Shipping Weight(lb./kg)	0.6 / 0.25	Flammability	UL-94-V0

Outline Drawing

