

Indoor Omni Antenna Ceiling Mounted

IX-MJN-V3U

Low PIM(-153dBc), 698-2700MHz, N-Female

- Wideband design covering 698-2700MHz
- Suitable for indoor application
- Compact and cost-effective design
- Supporting flammability UL-94-V0 rating



Electrical Specification

Product Model	IX-MJN-V3U		
Frequency (MHz)	698-806	806-960	1695-2700
Gain (dBi)	1.8 ± 0.5	2.0 ± 0.5	3.0 ± 1.0
Polarization	Vertical		
Beamwidth Horizontal (°)	360		
Beamwidth Vertical(°)	90	70	35
VSWR	≤ 1.8. typical ≤ 1.5	≤ 1.5	≤ 1.5
PIM (dBc)	< -153 @ 2 x 43dBm		
Average Power, max (W)	50		
Impedance (ohm)	50		

Mechanical Specification

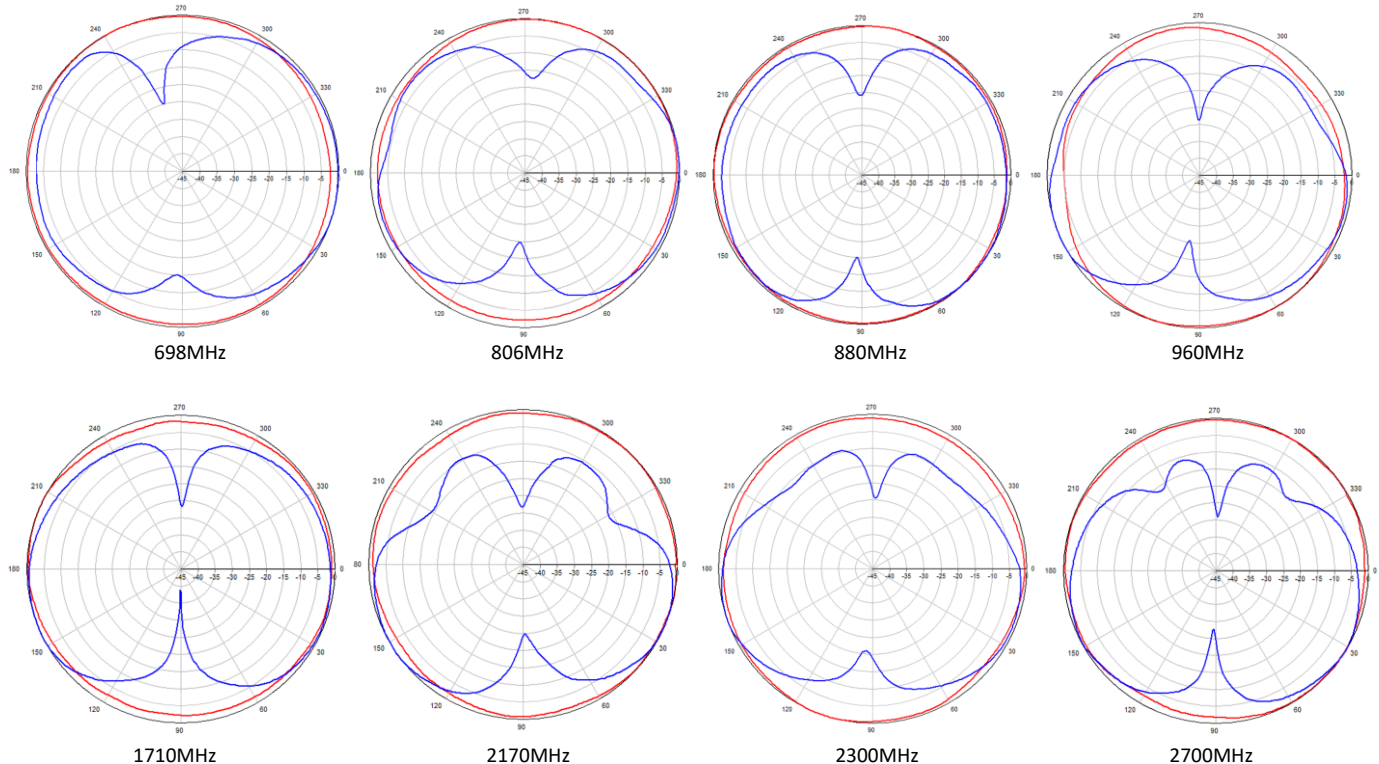
Dimension Diameter, height (in/mm)	Ø 8.0 x 4.5 / Ø 204.0x 115.0
Weight (lb./kg)	1.10 / 0.40
Shipping Dimension(in/mm)	7.09x7.09x7.09 / 180.0x180.0x180.0
Shipping Weight(lb./kg)	1.46 / 0.66
Radome Material & color	ABS, White, RAL9003
Flammability	UL-94-V0
Mounting/Connector type	Ceiling Mount, N-female Option1: Hard Ceiling mount bracket (MT-DA-01) Option2: High Ceiling or Joist mount bracket (MT-ND-HC)

Environment & Compliance

Application	Indoor
Operating Temperature	-40°C to +70°C
Relative Humidity	Up to 95%
RoHS	Compliant
Environment	

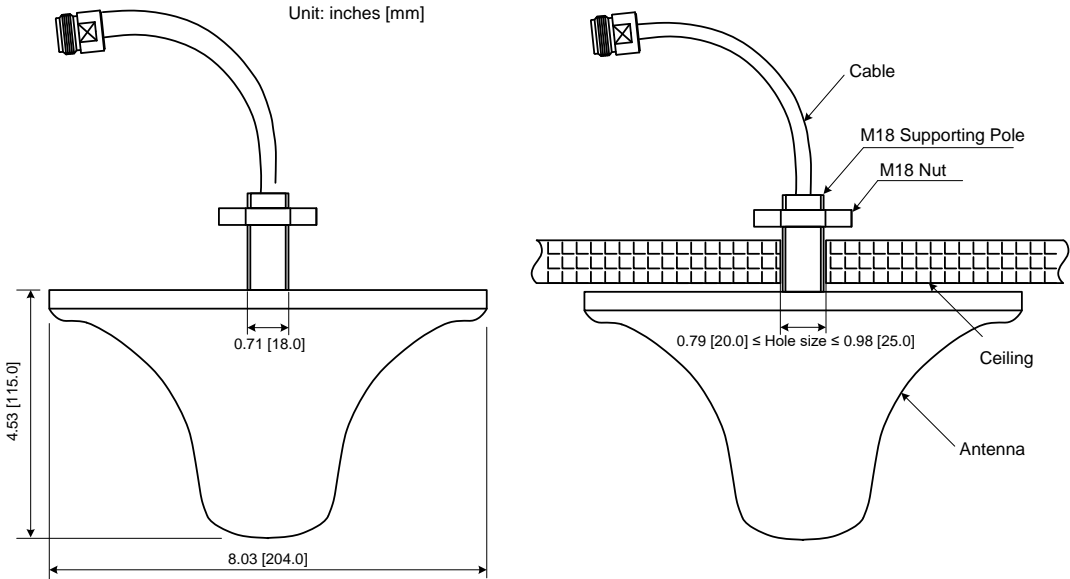
Antenna Pattern

— Horizontal — Vertical

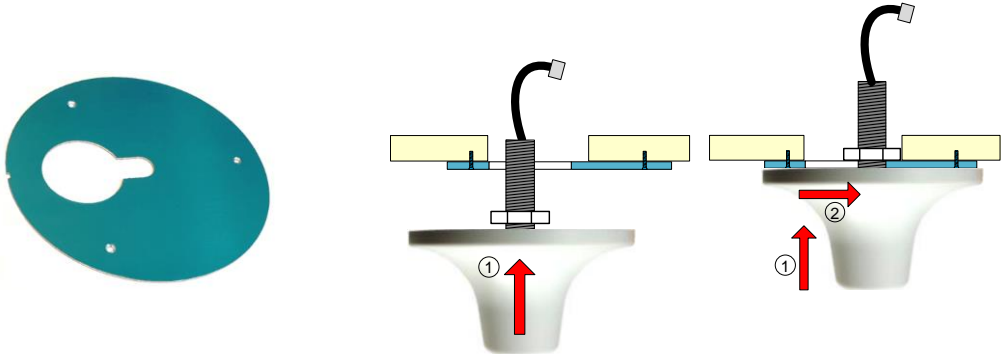


Outline Drawing & Installation Instruction

1. Standard Ceiling Mounting



2. Hard Ceiling Mounting
Mounting Bracket: MT-DA-01. Please refer MT-DA-01 Installation instruction



3. High Ceiling Mounting / Joist Mounting
Mounting Bracket: MT-ND-HC. Please refer MT-ND-HC Installation instruction

