



EH-ANT-2FT-DL18 DATASHEET

EtherHaul™ 2ft dual-band antenna (E-Band and 18GHz)

Introduction

EtherHaul™ E-band ODUs support a variety of antennas depending on the intended application, from street level to roof top, from short to long range. This document provides information for the 2ft dual-band antenna, 70/80GHz (E-Band) and 18GHz. It starts with the compatibility between the antenna and Siklu ODUs, continues with the specifications and closes with illustrations of the antenna. Information on other E-Band antennas is included in “DS_EH-ANT-E-band family”.

Compatibility

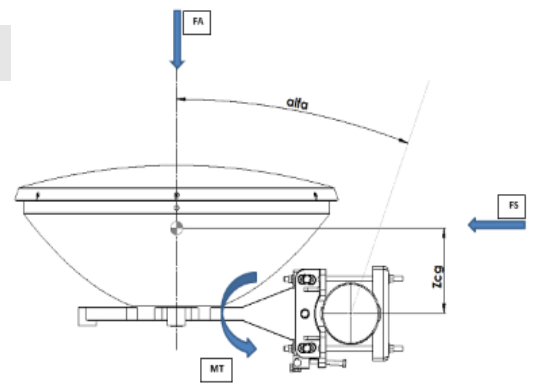
E-Band	18GHz
EH-1200T/TX & F/FX EH-2500F/FX EH-8010FX.	DragonWave: HC+ Harmony Enhanced Harmony Enhanced ^{MC}

Specifications - RF	E-Band	18GHz
Frequency Range	71 – 86 GHz	17.7 – 19.7 GHz
Regulatory Compliance	ETSI: EN 302 217-4-2 V2.2.1 Class 3 FCC: 47CFR101	ETSI: EN 302 217-4-2 V2.2.1 Class 3 FCC: 47CFR101
Gain	50dBi +/-1dB	38dBi +/- 0.5dB
3dB Beam	0.5°	1.8°
Polarization	Vertical or Horizontal	Vertical or Horizontal
Cross-pol. Discrimination	25dB	30dB
Front/Back Ratio	67dB	67dB
Input power	10 W (max)	10 W (max)
Interface	Circular waveguide E-Band	WR42

Mechanical EH-ANT-2ft-DL18

Weight	8Kg (17.6 lbs.)
Radome	Plastic

Wind Load Forces	
Front	
Side	FA = 1167 N (119 kgf)
Vertical	FS = 210 N (21.5 kgf)
	MT= 4165 kg-cm
	Weight 22.5Kg (Zcg=8.6cm with 0.5” Radial Ice)
	Zcg= 7.0cm



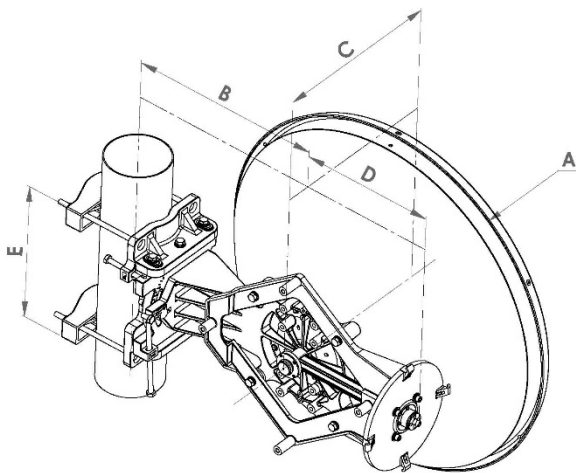


Environmental

Test	Standard	Duration	Temperature	Notes
Low Temperature	IEC 68-2-1	72 h	-55°C (-67°F)	-
High Temperature	IEC 68-2-2	72 h	+71°C (160°F)	-
Water Tightness	IEC 60529	-	-	IP67 *
Solar Radiation	ASTM G53	1000 h	-	-
Ice and Snow	IEC 60529	-	-	25mm Radial
Wind Speed Survival Operation	-	-	-	252 Km/h 164 Km/h

* IP67 when the radios are correctly mounted on the antenna per Siklu installation guide.

FIGURE 1: Outline drawings



DIMENSIONS IN mm (Inches)					
ANTENNA SIZE (m)	A	B	C	D	E
0.6	650mm (25.6")	350mm (13.8")	322mm (12.6")	245mm (9.6")	264mm (10.4")