

- ◆ Combines 700/800/900, DCS, IMT, S-Band/IMT-E bands in a DAS
- ◆ 50 dB Input Isolation
- ◆ 200 W per port power rating
- ◆ Guaranteed Low PIM
- ◆ Minimal RF Insertion Loss
- ◆ IP67 Rated
- ◆ 4.3-10 connectors
- ◆ RoHS compliant Design



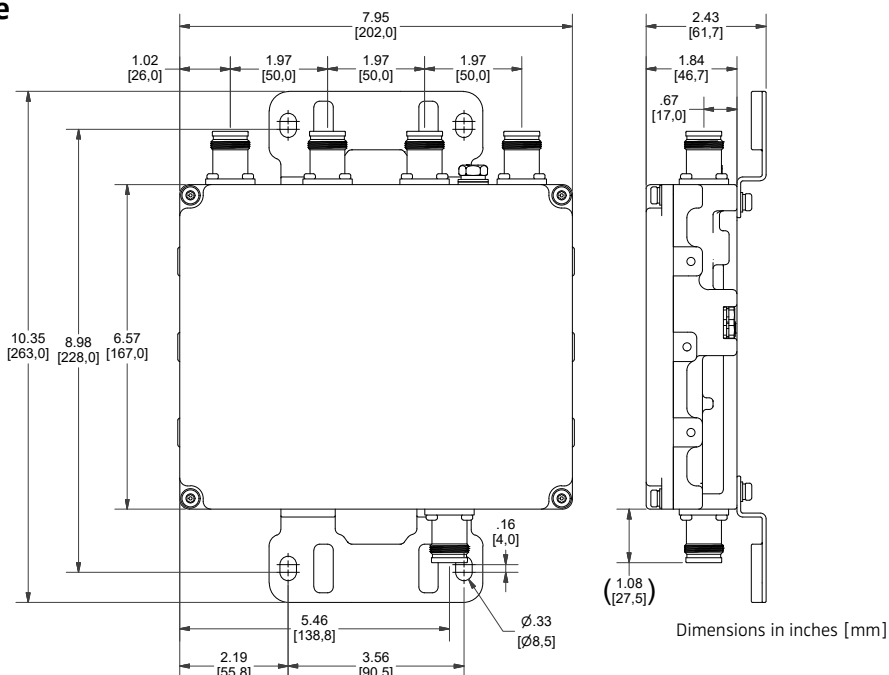
Model No.	Type	Weight lbs (kg)	Dimensions inches [mm]
BK-4002E	Single	5.2 (2.36)	7.95 x 6.57 x 1.84 [202 x 167 x 46.7]
BK-4002EW	Dual	10.5 (4.67)	7.95 x 7.80 x 3.89 [202 x 198 x 98.7]

Microlab BK-4002 Quadraplexer allows for combining and splitting of the signals in 698-960 MHz, 1710-1880 MHz, 1920-2170 MHz, and 2300-2700 MHz commercial wireless bands. To minimize band inter-reaction, the inputs are well isolated and have minimal insertion loss over their respective frequency bands. Attention to mechanical design ensures guaranteed low passive intermodulation. Dual mounted configuration for 2x2 MIMO applications is available as BK-4002EW

Frequency Bands:

Port 1: 698-960 MHz
 Port 2: 1710-1880 MHz
 Port 3: 1920-2170 MHz
 Port 4: 2300-2700 MHz
 Power: 200 W avg./port
 PIM: -160 dBc (-117 dBm) nom.
 -155 dBc (-112 dBm) min.
 Test with 2x tones at +43 dBm

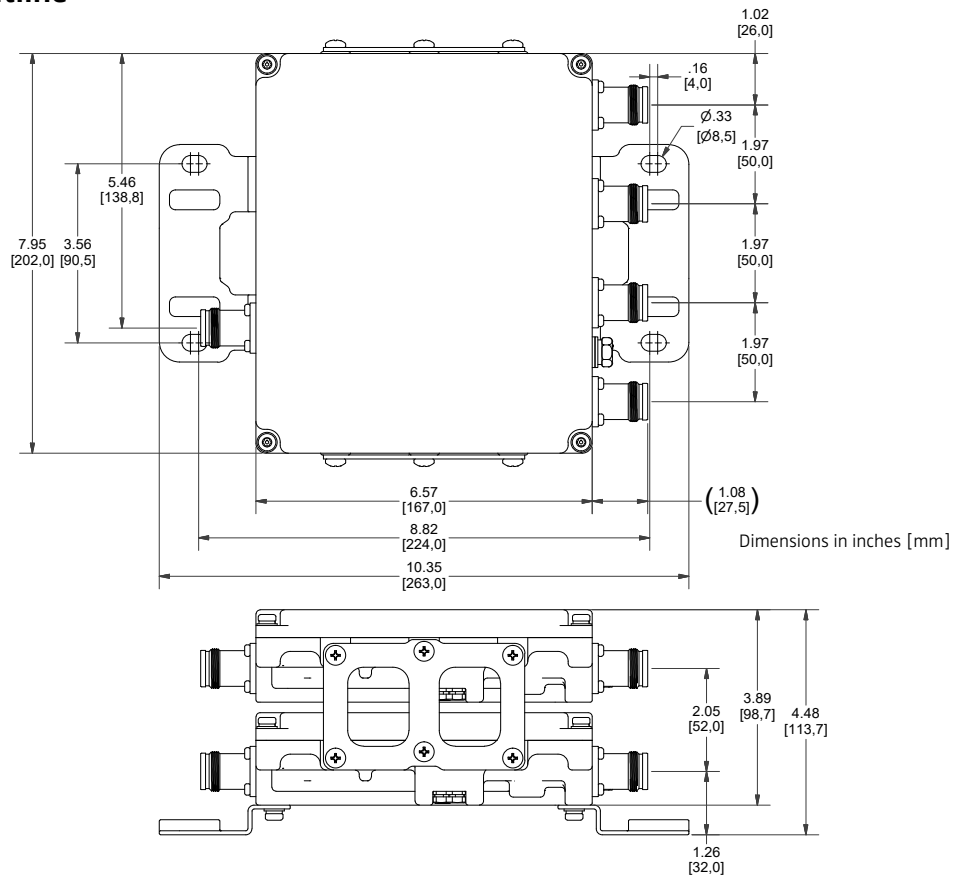
Return Loss: 20 dB min., All ports
 Isolation: 50 dB min.
 Insertion Loss: 0.35 dB max., All paths
 Impedance: 50Ω nom.
 Group Delay: 20 ns typ.
 DC Pass: 3A max., all ports
 Lightning Protection: ±10 kA, 10/350µs pulse
 Environment: -20° - +65°C, IP67
 Connectors: 4.3-10 (f), Flanged Triplate
 Ground Protection: M6 Screw
 Housing Finish: Painted
 Mounting: Bracket included

BK-4002E Outline


Note: Specifications are subject to change without prior notification

4MAR2019

BK-4002EW Outline



Note: Specifications are subject to change without prior notification