

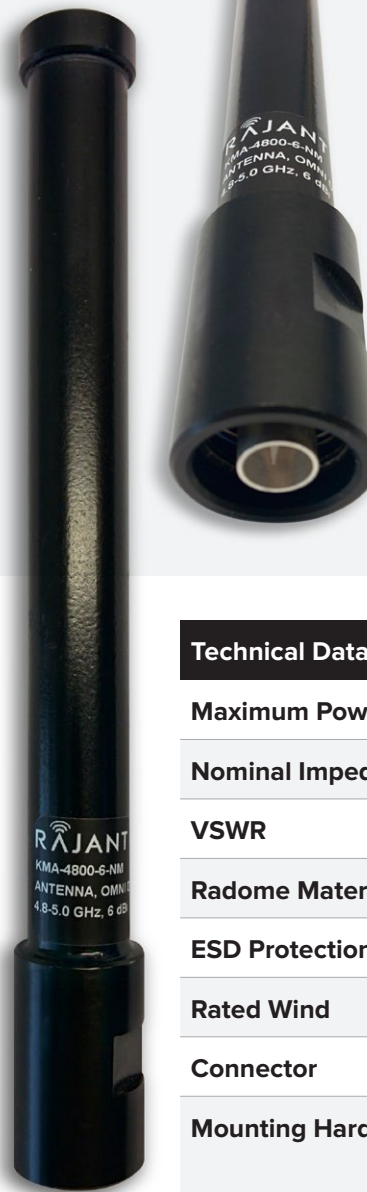
# KMA-4800-6

## 4.8–5.0 GHz Omnidirectional Kinetic Mesh® Antenna

The 4.8–5.0 GHz omnidirectional Kinetic Mesh antenna consists of a linear array, encapsulated in a heavy duty fiberglass radome with a thick walled mounting base for reliable long term use. The rugged design allows the antenna to withstand harsh environments and is ideal for military and first responder band wireless applications. The antenna is DC grounded for ESD protection of radio components.

### KMA-4800-6 Benefits

- 6 dBi gain
- Type N (male or female) connector
- Fully sealed IP67 (6: Dust-tight, 7: Waterproof) design
- UV stable, black fiberglass radome 0.64" (16.3 mm) diameter
- Black chrome plated mounting base
- DC grounded design



07-100003-001/BAM1013 mount (above)

75-100139-001/KMA-4800-6-NM connector view (left)

### Technical Data

<b>Maximum Power</b>	250 Watt
<b>Nominal Impedance</b>	50 Ohm
<b>VSWR</b>	< 1.5:1
<b>Radome Material</b>	Pultruded fiberglass
<b>ESD Protection</b>	DC grounded
<b>Rated Wind</b>	150 mph (241 km/h)
<b>Connector</b>	Type N (male or female)
<b>Mounting Hardware</b>	07-100003-001/BAM1013 included with the Type N male connector option

### RF/Electrical Specifications

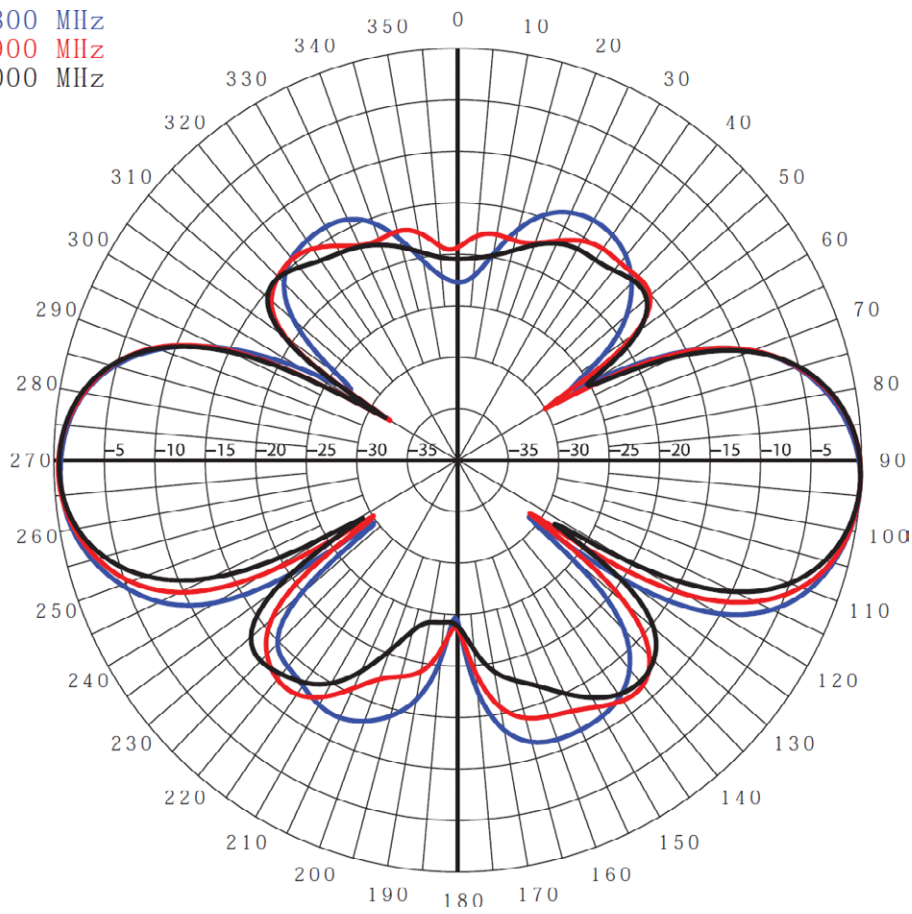
Rajant Part Number	Model	Frequency Range	Nominal Gain	Return Loss	E-Plane Beamwidth	Connector Type
75-100139-001	KMA-4800-6-NM	4.8–5.0 GHz	6 dBi	> 14 dB	28°	N male
75-100140-048	KMA-4800-6-NF	4.8–5.0 GHz	6 dBi	> 14 dB	28°	N female

### Mechanical Specifications

Rajant Part Number	Model	Weight	Height	Rated Wind Load	Bending Moment at Rated Wind	Equivalent Flat Plate Area
75-100139-001	KMA-4800-6-NM	3 oz (85.0 g)	7.03" (17.86 cm)	1.9 lbf (8.5 N)	0.56 ft-lbf (0.76 Nm)	0.023 ft <sup>2</sup> (21.4 cm <sup>2</sup> )
75-100140-048	KMA-4800-6-NF	3 oz (85.0 g)	7.23" (18.36 cm)	1.9 lbf (8.5 N)	0.56 ft-lbf (0.76 Nm)	0.023 ft <sup>2</sup> (21.4 cm <sup>2</sup> )

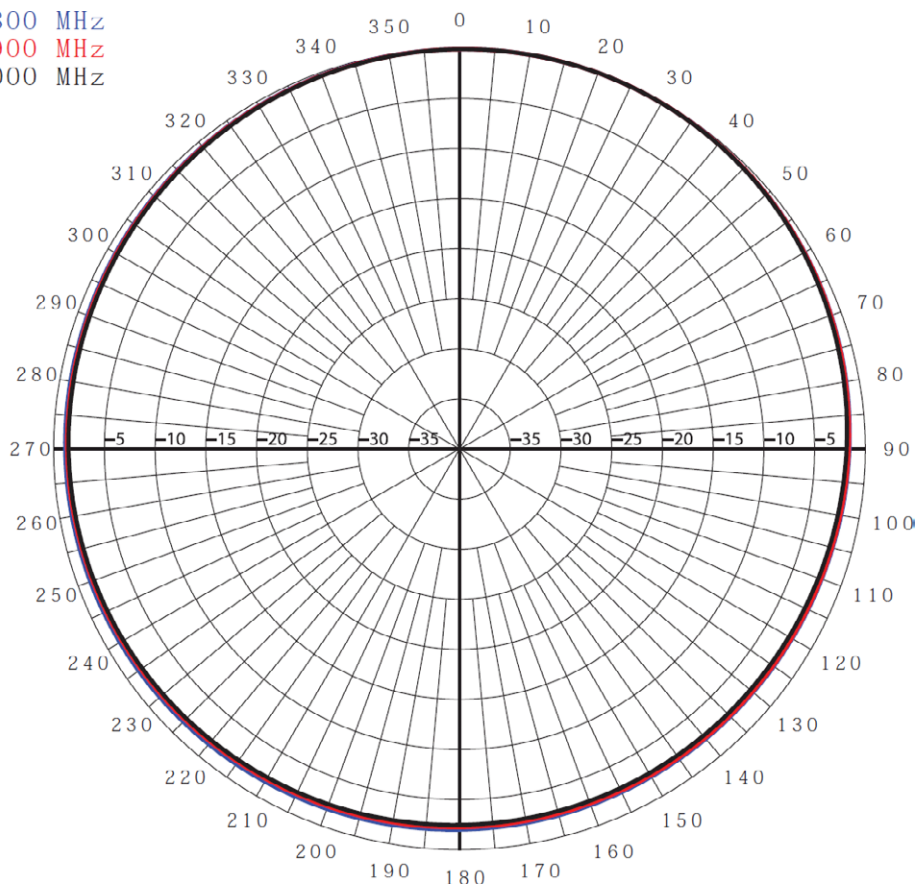
**E-Plane  
Radiation  
Pattern**

4800 MHz  
4900 MHz  
5000 MHz

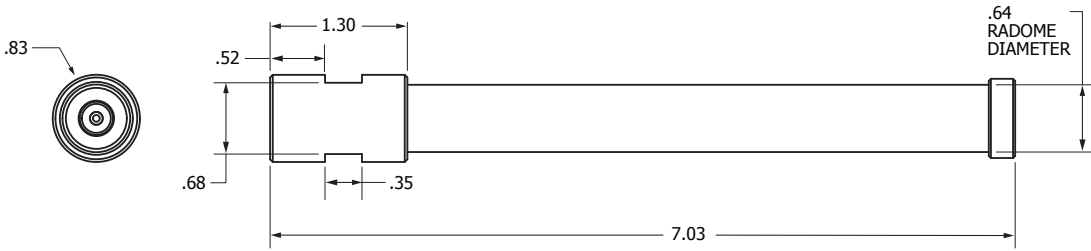


**H-Plane  
Radiation  
Pattern**

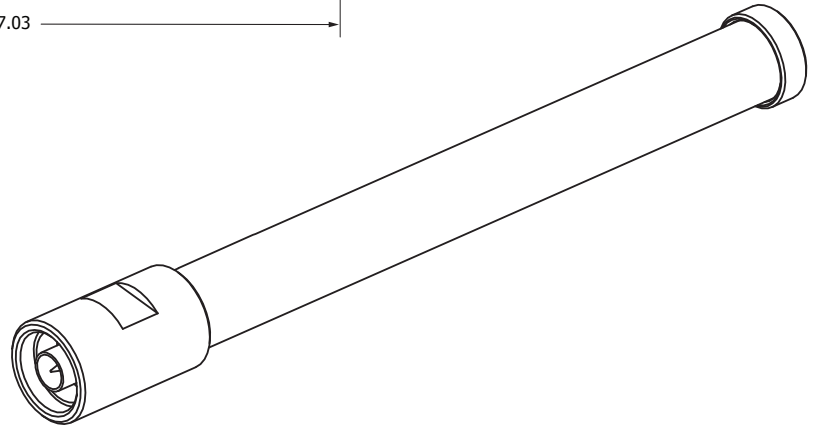
4800 MHz  
4900 MHz  
5000 MHz



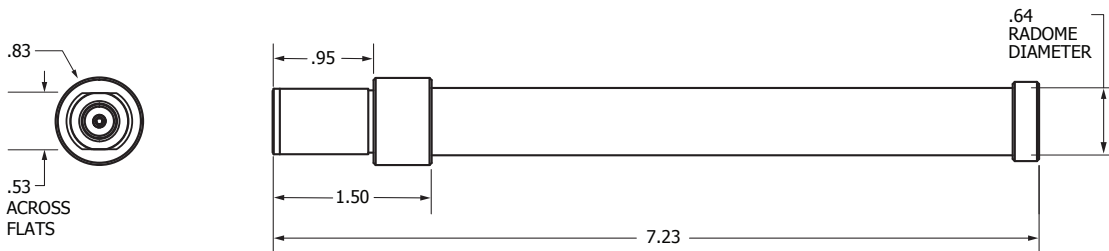
**KMA-4800-6-NM Dimensions**



Unless otherwise specified dimensions are in inches.  
1 inch = 2.54 cm



**KMA-4800-6-NF Dimensions**



Unless otherwise specified dimensions are in inches.  
1 inch = 2.54 cm

