

Westell | VHF - 960MHz Power Splitters



General Information

Westell's Power Splitters feature wideband operation covering all public safety and private mobile frequency bands. With their low insertion loss, rugged construction and water resistance they are ideal for a wide range of applications.

Frequency Range

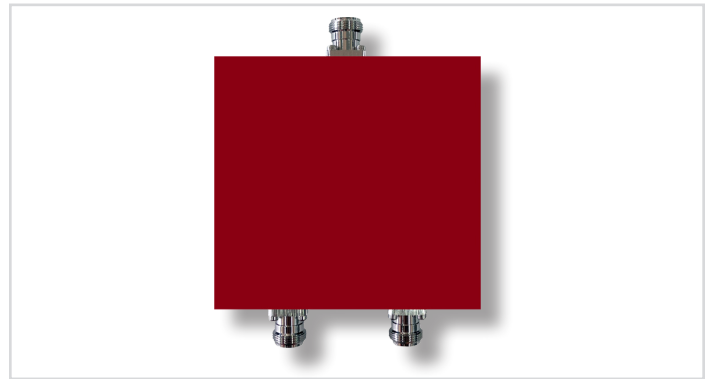
- 138-960 MHz

Product Highlights

- Covers all Public Safety and Private Mobile Bands
- UHF/VHF/700/800/900Mhz
- Low Insertion Loss
- Low VSWR
- High Port Isolation
- Product Finish: Red for easy identification

Applications

- In-building solutions
- Public Safety



CV04-500-629-2-Way Power Splitter Pictured

Ordering Information

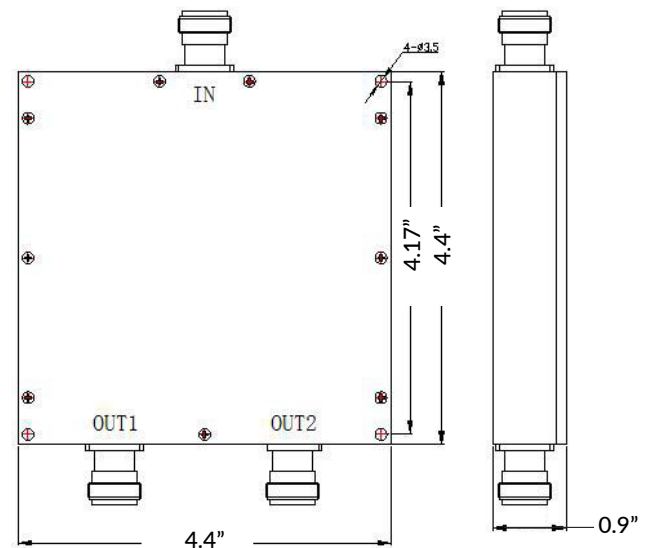
CV04-500-629	VHF-SPD2/138-960/N(f) 2-Way Power Splitter
CV04-501-629	VHF-SPD3/138-960/N(f) 3-Way Power Splitter
CV04-502-629	VHF-SPD4/138-960/N(f) 4-Way Power Splitter

*Includes mounting hardware

2-Way Power Splitter Specifications

Frequency (MHz)	138-960
Input Port Number	1
Output Port Number	2
Split Loss (dB)	3.0
VSWR	≤1.3
Insertion Loss (dB)	≤0.7
Port Isolation	≥18
Total Input Power (W)	50W
Impedance	50 ohm
Connector	N-Female
Color	Red
Temp (deg)	-35~+65
Application	Indoor/Outdoor, IP65
Relative Humidity	5%-95%
Weight (kg)	TBD
Dimensions (WxLxD) Inches	4.4" x 4x4" x 0.9" (Connectors Excluded)

2-Way Power Splitter Mechanical Drawing



* Comes with mounting holes



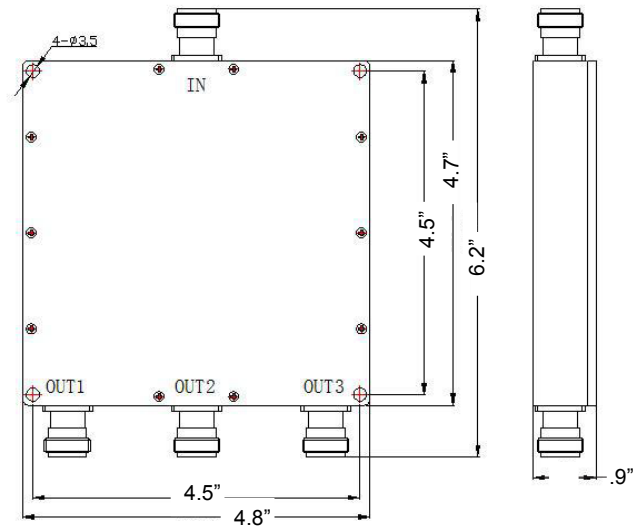
Westell | VHF - 960MHz Power Splitters



3-Way Power Splitter Specifications

Frequency (MHz)	138-960
Input Port Number	1
Output Port Number	3
Split Loss (dB)	4.8
VSWR	≤1.3
Insertion Loss (dB)	≤1.6
Port Isolation	≥18
Total Input Power (W)	50W
Impedance	50 ohm
Connector	N-Female
Color	Red
Temp (deg)	-35~+65
Application	Indoor/Outdoor, IP65
Relative Humidity	5%-95%
Weight (kg)	TBD
Dimensions (WxLxD) Inches	4.8" x4.7"x0.9" (Connectors Excluded)

3-Way Power Splitter Mechanical Drawing

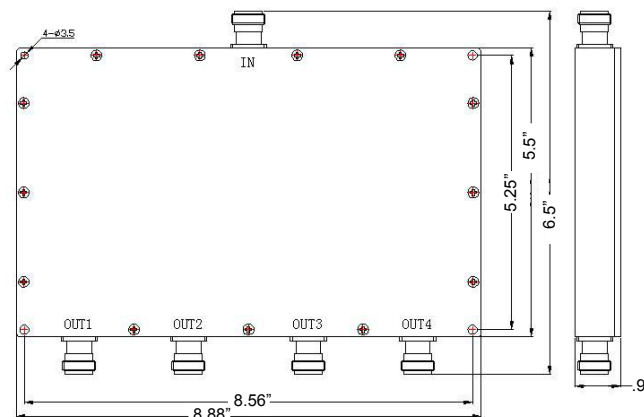


* Comes with mounting holes

4-Way Power Splitter Specifications

Frequency (MHz)	138-960
Input Port Number	1
Output Port Number	4
Split Loss (dB)	6.0
VSWR	≤1.35
Insertion Loss (dB)	≤1.8
Port Isolation	≥16
Total Input Power (W)	50W
Impedance	50 ohm
Connector	N-Female
Color	Red
Temp (deg)	-35~+65
Application	Indoor/Outdoor, IP65
Relative Humidity	5%-95%
Weight (kg)	TBD
Dimensions (WxLxD) Inches	8.88"x5.25"x.9" (Connectors Excluded)

4-Way Power Splitter Mechanical Drawing



* Comes with mounting holes

