

Outdoor Dual Band Combiner

CM-AC2-ODxB/CM-AC2D-ODxB

CM-AC2-OAxB/CM-AC2D-OAxB

Low PIM(-153dBc), DIN-Female, 4.3-10 Female

- Band 1: 698-798MHz, Band 2: 817-894MHz
- Co-siting purpose for feeder sharing
- High isolation – minimizes interference
- High power handling and low loss – maximizes system performance
- Built-in lightning protection
- Available as a single unit or double units
- Built with optional DC bypass, to be used with Tower Mounted Amplifiers and AISG devices



Electrical Specification

| | | |
|---------------------------------|------------------|---------|
| Frequency (MHz) | 698-798 | 817-894 |
| Insertion Loss (dB) | ≤ 0.4 | |
| Isolation Between Ports (dB) | ≥ 60 | |
| Return Loss (dB) | ≥ 18, typical 20 | |
| Coupling Value at Com Port (dB) | 43.0 ± 2.0 | |
| PIM (dBc) | ≤ -153 @ 2x43dBm | |
| Input Power Per Port, max (W) | 250 | |
| Impedance (ohm) | 50 | |

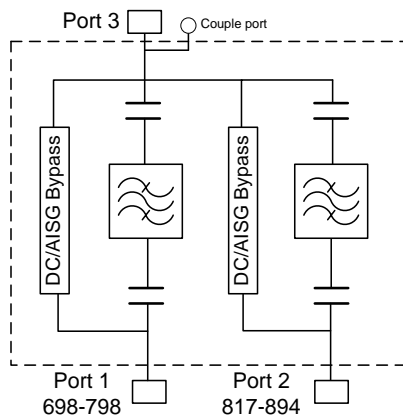
Mechanical Specification

| | |
|------------------------|--|
| Dimension (in/mm) | 8.27x7.44x2.05 / 210.0x189.0x52.0 |
| Weight (lb/kg) | 7.3 / 3.3 |
| Shipping Dimension | TBD |
| Shipping Weight(lb/kg) | TBD |
| Connector | CM-AC2-ODxB /DIN-Female, single CM-AC2D-ODxB /DIN-Female, double CM-AC2-OAxB / 4.3-10 Female, single CM-AC2D-OAxB / 4.3-10 Female, double |

Environment & Compliance

| | |
|-----------------------|--|
| Application | Outdoor / Indoor |
| Operating Temperature | -40°C to +65°C |
| Environment | IP66 |
| Relative Humidity | Up to 95% |
| Lightning Protection | Comply with IEC 61000-4-5; 8kA, 8/20µs |
| RoHS | Compliant |

Block Diagram



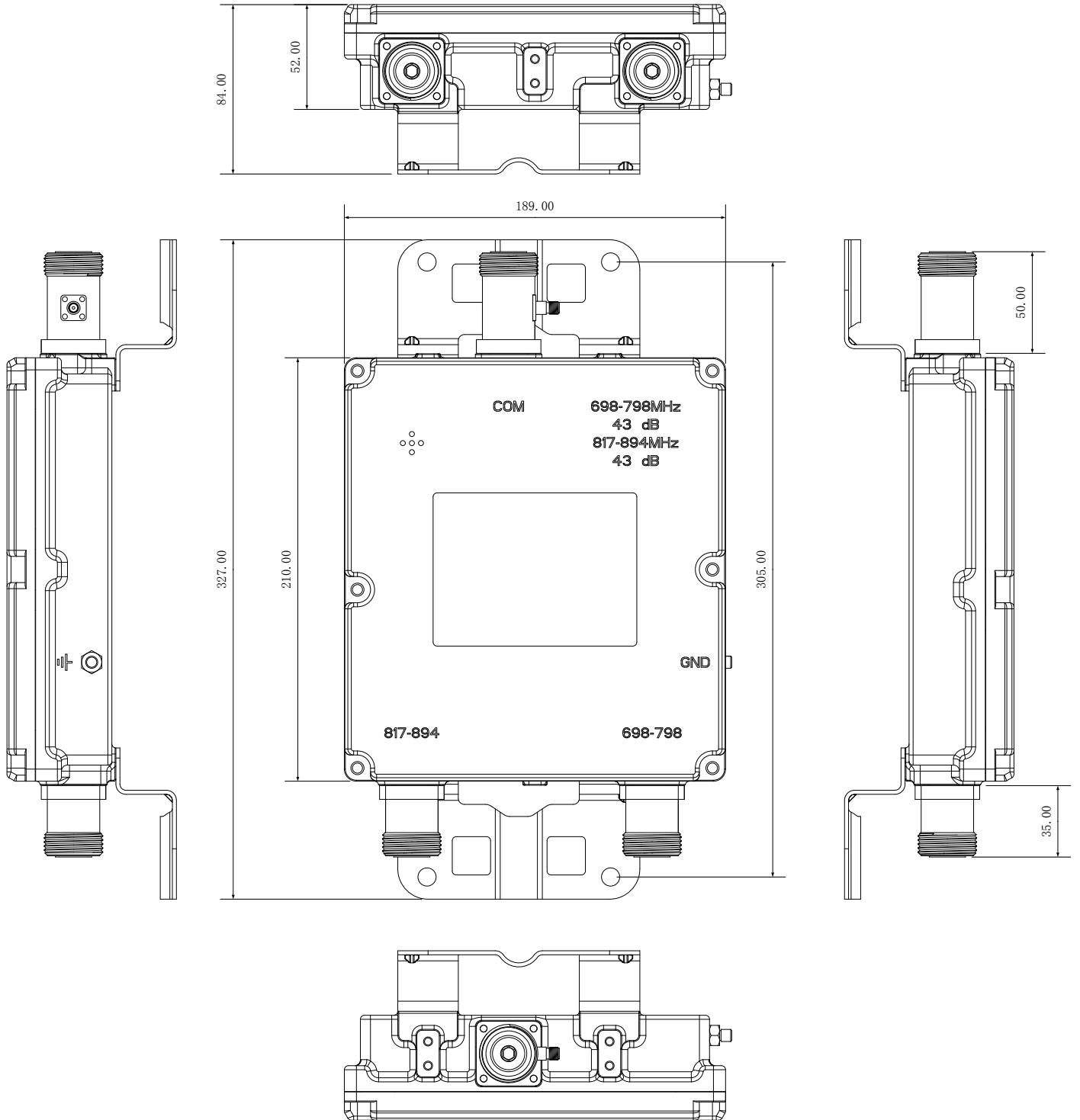
Example: View of CM-AC2-OD4B

Ordering Information

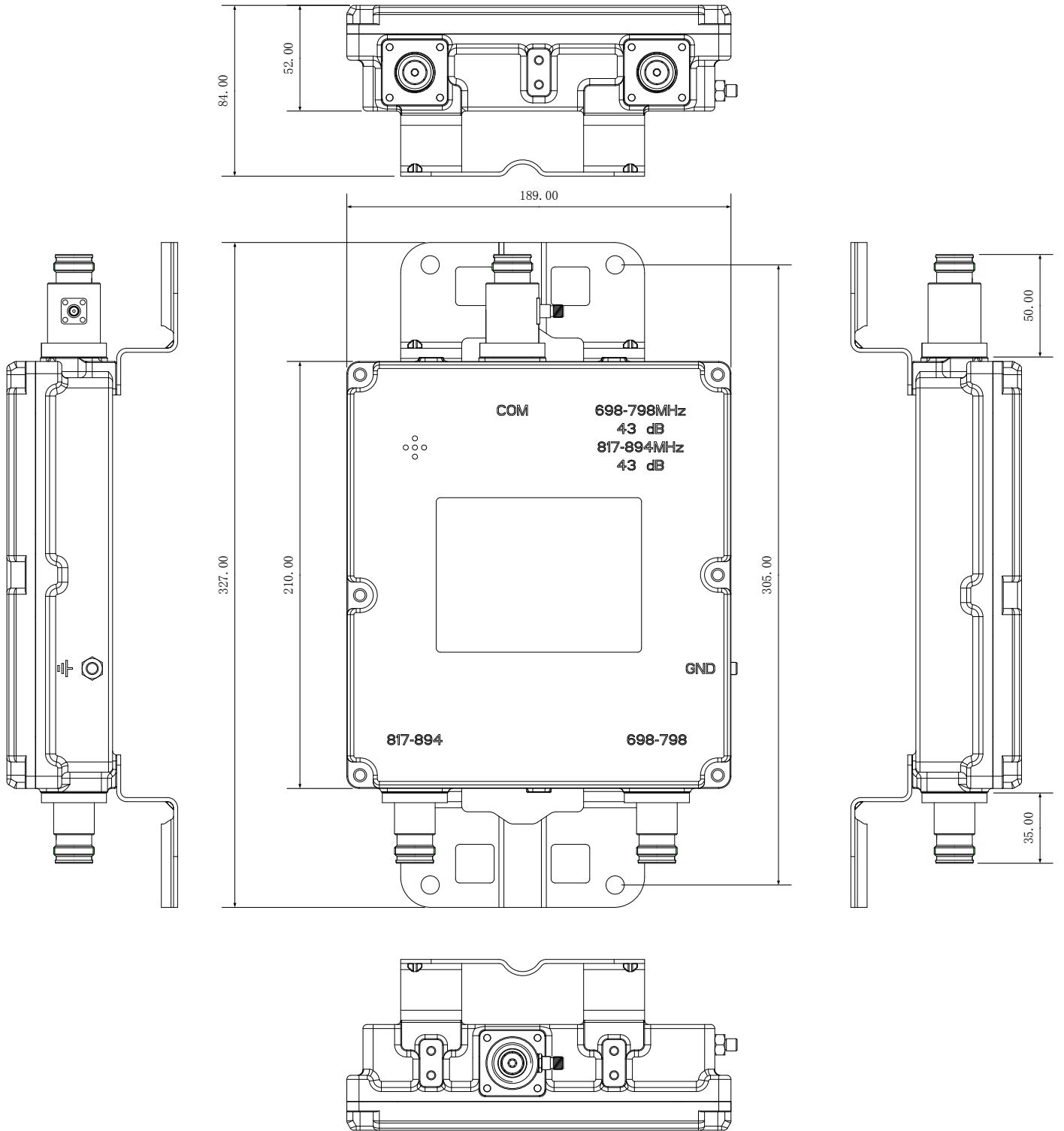
| Single Unit Model Number | Double units Model Number | DC Bypass Optional |
|--------------------------|---------------------------|---------------------|
| CM-AC2-OD1B | CM-AC2D-OD1B | No DC Pass |
| CM-AC2-OA1B | CM-AC2D-OA1B | |
| CM-AC2-OD2B | CM-AC2D-OD2B | DC Bypass @ 698-798 |
| CM-AC2-OA2B | CM-AC2D-OA2B | |
| CM-AC2-OD3B | CM-AC2D-OD3B | DC Bypass @ 817-894 |
| CM-AC2-OA3B | CM-AC2D-OA3B | |
| CM-AC2-OD4B | CM-AC2D-OD4B | Full DC Pass |
| CM-AC2-OA4B | CM-AC2D-OA4B | |

Outline Drawing

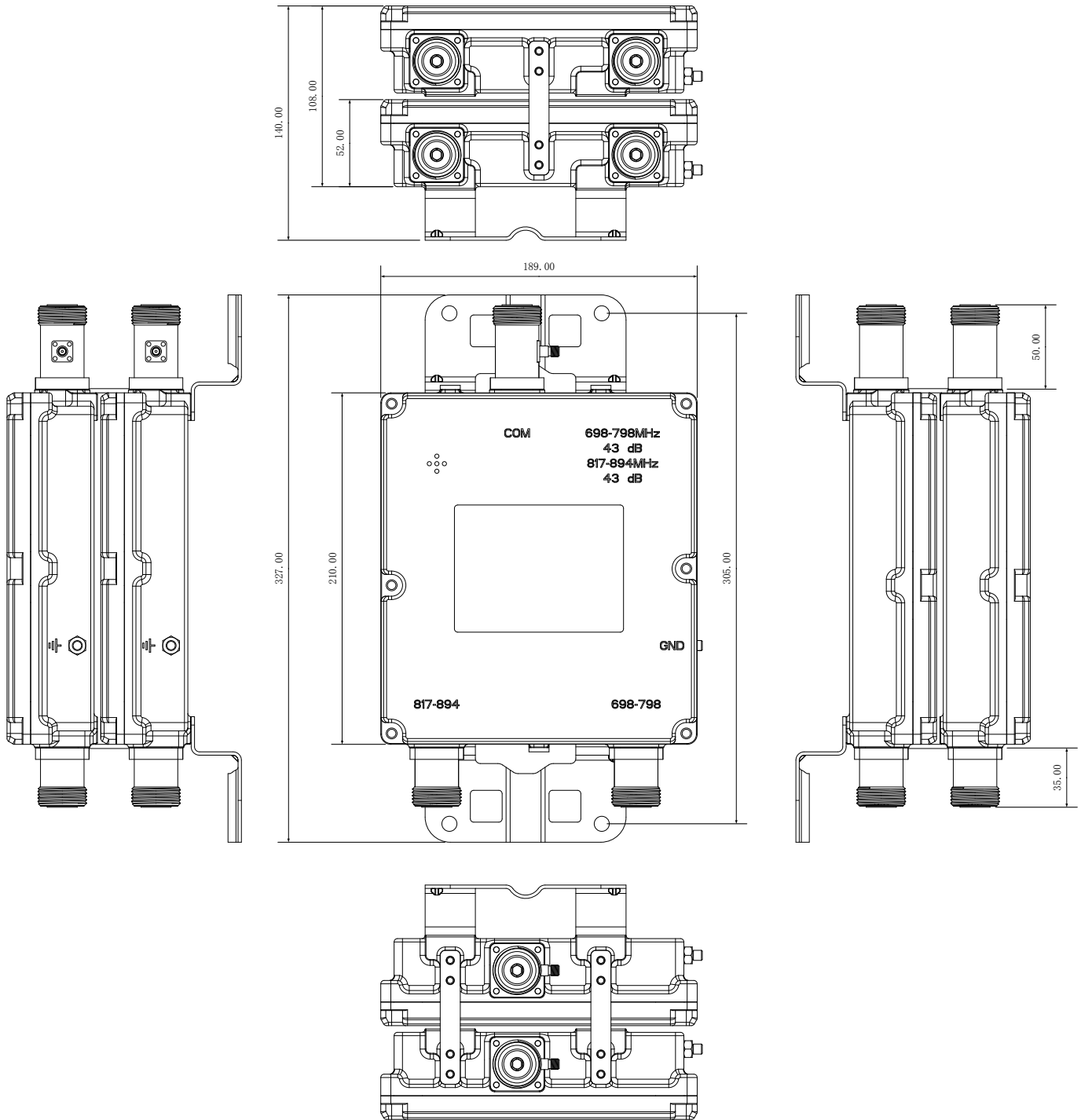
CM-AC2-ODxB



CM-AC2-OAxB



CM-AC2D-ODxB



CM-AC2D-OAxB

