

ComFlex Series Distributed Antenna System

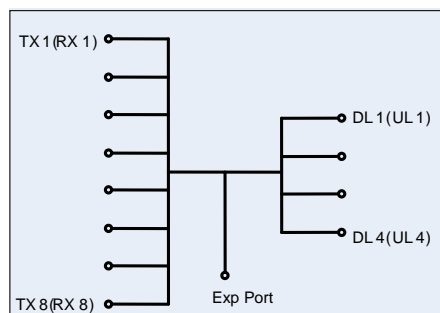
Combiner Unit

Features

- Passive unit for 8 inputs and 4 outputs.
- Simplex RF connectors.
- Supports cascade up to 16 inputs and 4 outputs.



Functional Block Diagram



Specifications

| Electrical | | TX-DL | RX-UL |
|---------------------|-----|----------|----------|
| Frequency Range | MHz | 690-2700 | 690-2700 |
| Insert Loss | dB | -22 | -22 |
| Ripple | dB | ≤ 1.5 | ≤ 1.5 |
| Return Loss | dB | ≤ -18 | ≤ -18 |
| Max. Input RF Power | dBm | 33 | 33 |
| Impedance | Ω | 50 | 50 |

| Mechanical | | | |
|-----------------------|----|----------------|--|
| Dimensions, H x W x D | mm | 44 x 485 x 450 | |
| Weight (approx.) | kg | 6.3 | |
| RF Connectors | | QMA-Female | |
| Operating Temperature | °C | 0 to +55 | |
| Operating Humidity | | ≤ 85% | |
| Ingress Protection | | IP30 | |
| Enclosure Cooling | | Convection | |
| Installation Type | | 19" Rack | |