

WC-SC4D

Z-bracket, Wall Coaxial Cable Support Covers for SnapStak® Snap-in Hangers, eight coaxial cable runs

Dimensions

Height	228.6 mm 9.0 in
Length	2.4 m 8.0 ft
Width	304.8 mm 12.0 in
Weight	33.2 kg 73.2 lb

Environmental Specifications

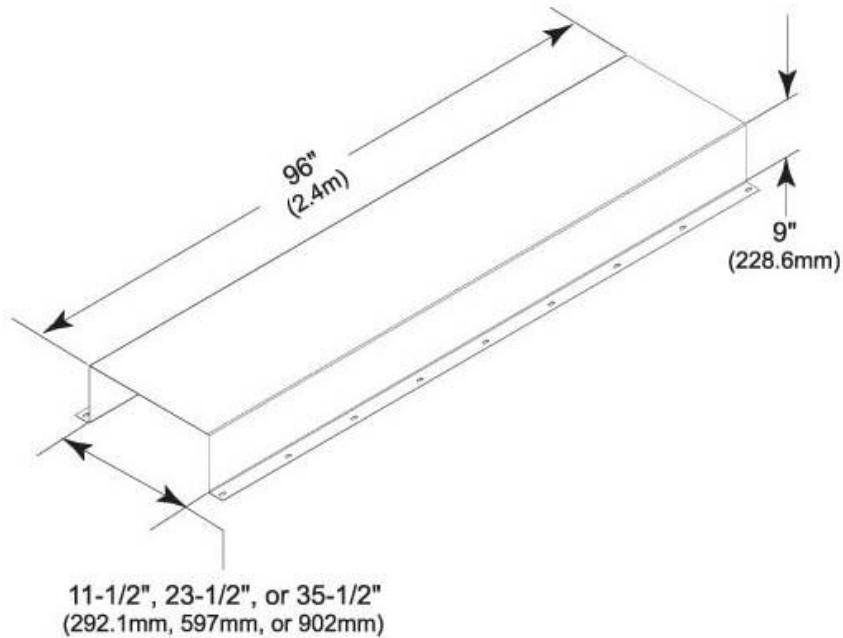
Wind Rating	For specifications—contact 828-324-2200 or 1-800-982-1708 (toll free), or your local CommScope representative
-------------	---

General Specifications

Product Type	Coaxial cable wall cover
Cable Runs, quantity	8
Mounting	Walls
Includes	Cover
Material Type	Galvanized steel
Package Quantity	1

WC-SC4D

Outline Drawing



Regulatory Compliance/Certifications

Agency	Classification
ISO 9001:2008	Designed, manufactured and/or distributed under this quality management system

* Footnotes

Wind Rating	BWS—Base Wind Speed; FBC—Florida Building Code
-------------	--