

PT-R102



Power Telecommunications Rack, two 80 in rungs, 13 ft 4 in burial posts

Product Classification

Product Type Telecommunications rack

General Specifications

Pipe, quantity 2

Dimensions

Height 127 mm | 5 in

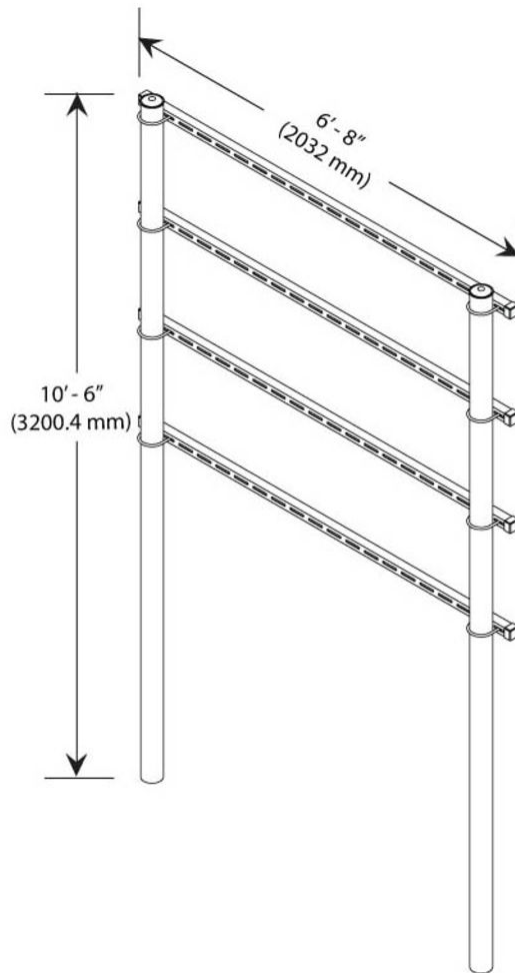
Width 2032 mm | 80 in

Length 4064 mm | 160 in

Pipe Length 4064 mm | 160 in

PT-R102

Outline Drawing



Material Specifications

Material Type Hot dip galvanized steel

Packaging and Weights

Included Hardware | Legs | Unistrut

Packaging quantity 1

Weight, net 62 kg | 136.686 lb

Regulatory Compliance/Certifications

Agency	Classification
--------	----------------

PT-R102

CHINA-ROHS	Below maximum concentration value
ISO 9001:2015	Designed, manufactured and/or distributed under this quality management system
REACH-SVHC	Compliant as per SVHC revision on www.commscope.com/ProductCompliance
ROHS	Compliant



Included Products

- MF-130 – Direct Burial Pipe Column, 13 ft 4 in