

EX-PH3



Coaxial Cable Mounting Bracket, three holes, for expanding Ex-Press® Band line capacity (Band not incl)

Product Classification

Product Type Mounting bracket

General Specifications

Hole, quantity 12

Mounting Polygon monopole, 254–1524 mm (10–60 in) | Round monopole, 254–1524 mm (10–60 in)

Dimensions

Height 76.2 mm | 3 in

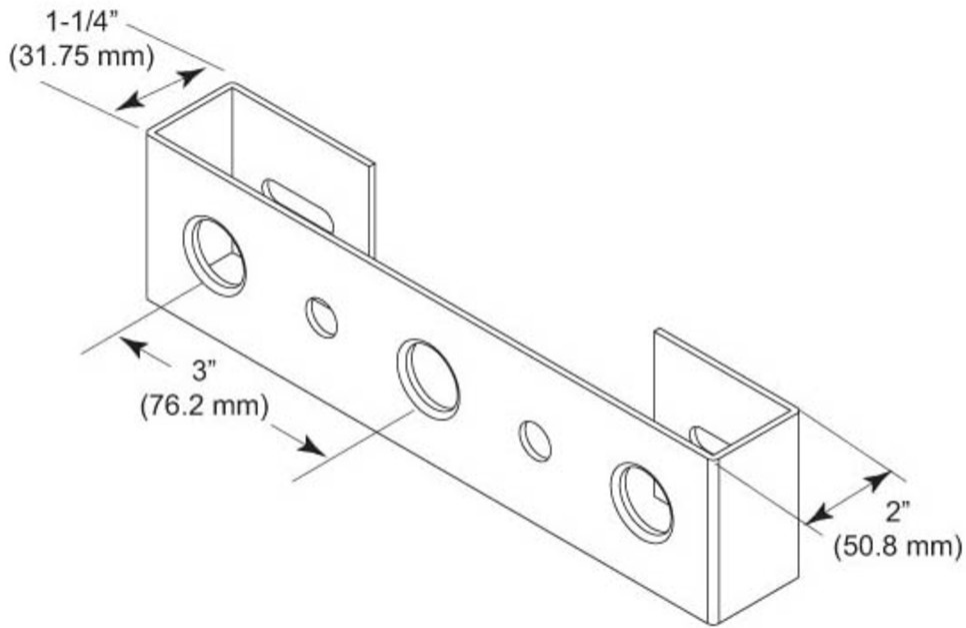
Width 304.8 mm | 12 in

Length 76.2 mm | 3 in

Hole Size 3/4 in | 7/16 in

EX-PH3

Outline Drawing



Material Specifications

Material Type Aluminum

Packaging and Weights

Included Brackets | Hardware

Packaging quantity 10

Weight, net 1.2 kg | 2.646 lb

Regulatory Compliance/Certifications

Agency

ISO 9001:2015

Classification

Designed, manufactured and/or distributed under this quality management system

