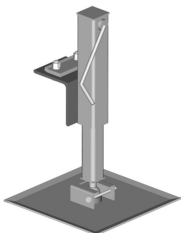


EQ-P-AL



Equipment Platform Adjustable Leg

Product Classification

Product Type Equipment platform system

Dimensions

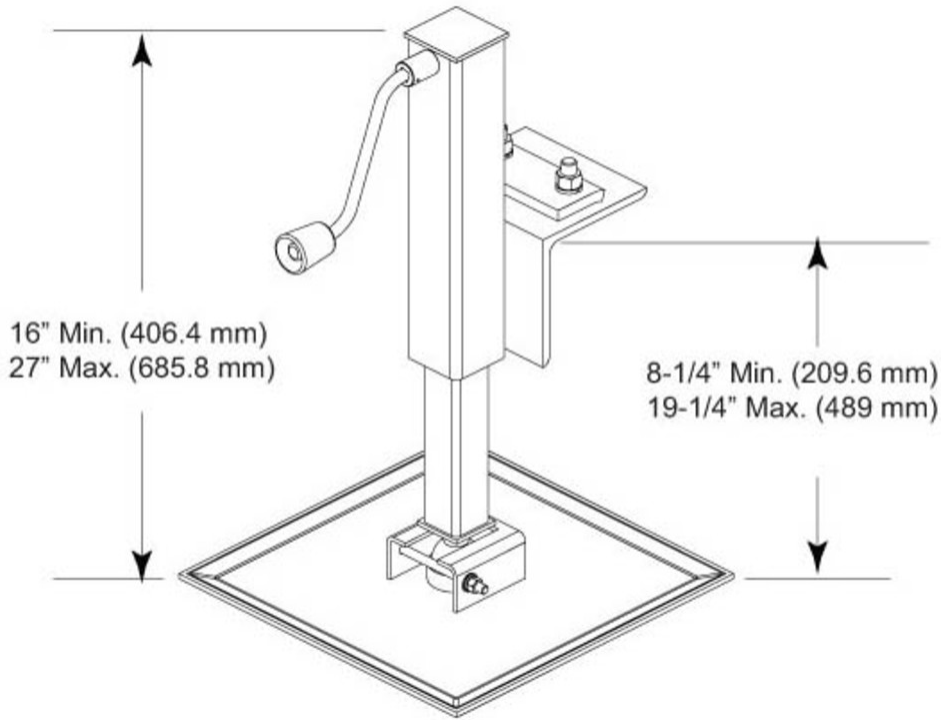
Height 27 in | 685.8 mm

Width 16 in | 406.4 mm

Length 16 in | 406.4 mm

EQ-P-AL

Outline Drawing



Material Specifications

Material Type Hot dip galvanized steel

Packaging and Weights

Included Legs

Packaging quantity 1

Weight, net 20.4 kg | 44.974 lb

Regulatory Compliance/Certifications

Agency

ISO 9001:2015

Classification

Designed, manufactured and/or distributed under this quality management system

