

Water Tower Rooftop Sector Frame, 14 ft face, four 2-3/8 in OD x 96 in plain end pipes included

## Product Classification

**Product Type** Water tower mount

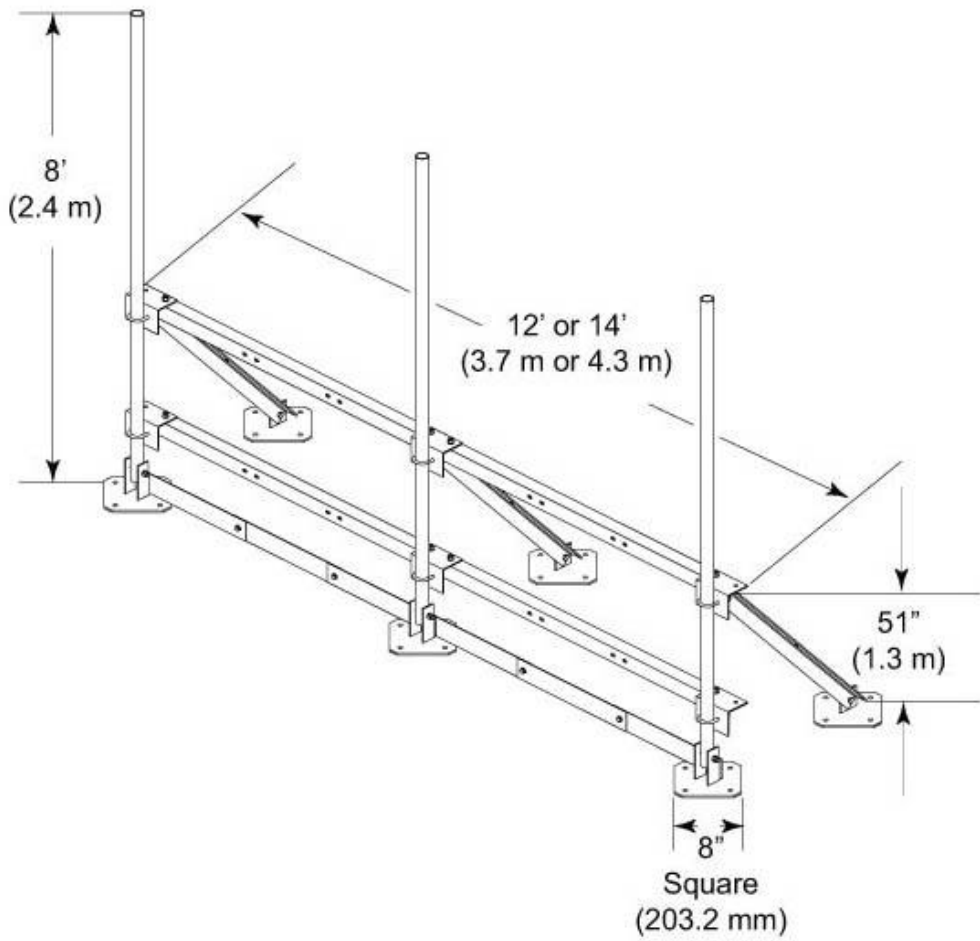
## Dimensions

**Face Width** 4.4 m | 14.5 ft  
**Pipe Outer Diameter** 60.3 mm | 2.4 in  
**Height** 2438.4 mm | 96.0 in  
**Length** 1219.2 mm | 48.0 in  
**Weight** 238.9 kg | 526.7 lb  
**Width** 4419.6 mm | 174.0 in

## General Specifications

**Pipe Length** 2438.4 mm | 96.0 in  
**Pipe, quantity** 4  
**Includes** Mount | Plain end pipes (4)  
**Material Type** Hot dip galvanized steel  
**Mounting** Weld-on feet  
**Package Quantity** 1  
**Sectors, quantity** 1

Outline Drawing



Regulatory Compliance/Certifications

Agency	Classification
ISO 9001:2015	Designed, manufactured and/or distributed under this quality management system

