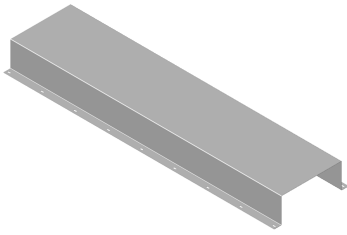


WC-SC8D



Z-bracket, Wall Coaxial Cable Support Covers for SnapStak® Snap-in Hangers, 12 coaxial cable runs

Product Classification

Product Type Cover

Dimensions

Height 228.6 mm | 9.0 in
Length 2438.4 mm | 96.0 in
Width 609.6 mm | 24.0 in
Weight 45.1 kg | 99.4 lb

Environmental Specifications

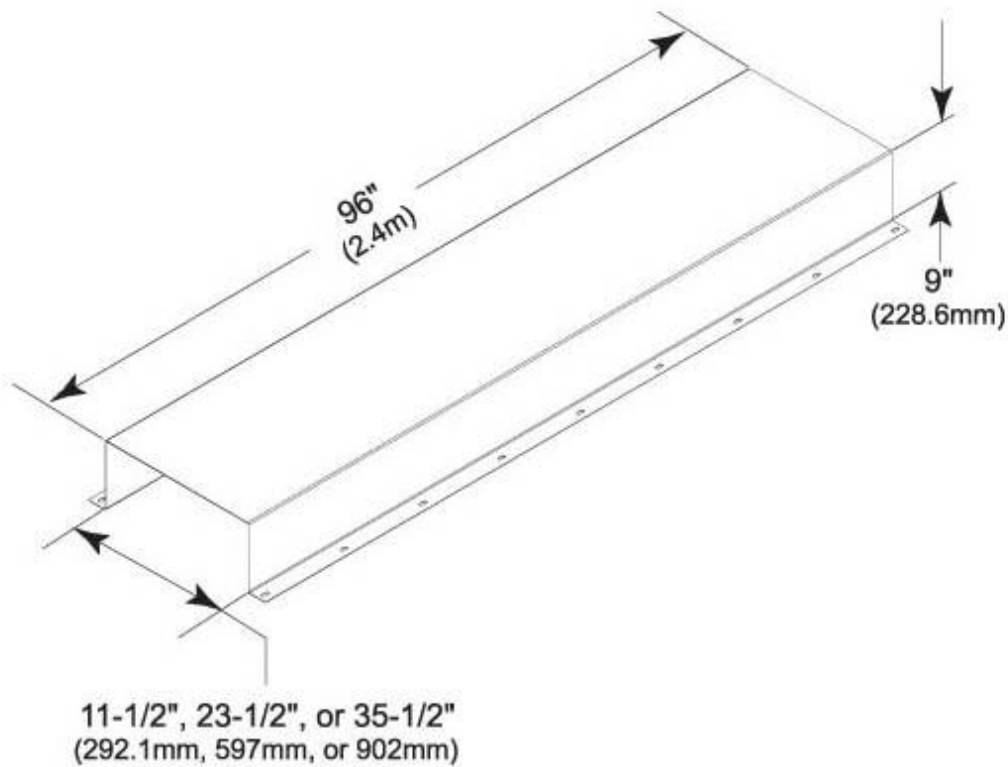
Wind Rating For Specifications, please contact steelproducts@commscope.com or call 800-255-1479

General Specifications

Cable Runs, quantity 12
Mounting Walls
Includes Cover
Material Type Galvanized steel
Package Quantity 1

WC-SC8D

Outline Drawing



Regulatory Compliance/Certifications

Agency

ISO 9001:2015

Classification

Designed, manufactured and/or distributed under this quality management system



* Footnotes

Wind Rating

BWS—Base Wind Speed; FBC—Florida Building Code