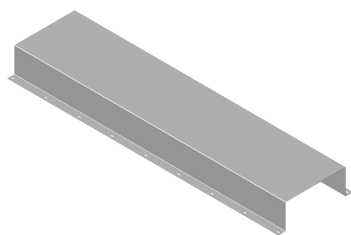


# WC-SC12D

---



Z-bracket, Wall Coaxial Cable Support Covers for SnapStak® Snap-in Hangers, four coaxial cable runs

## Product Classification

**Product Type** Cover

## Dimensions

**Height** 228.6 mm | 9.0 in  
**Length** 2438.4 mm | 96.0 in  
**Width** 914.4 mm | 36.0 in  
**Weight** 57.0 kg | 125.7 lb

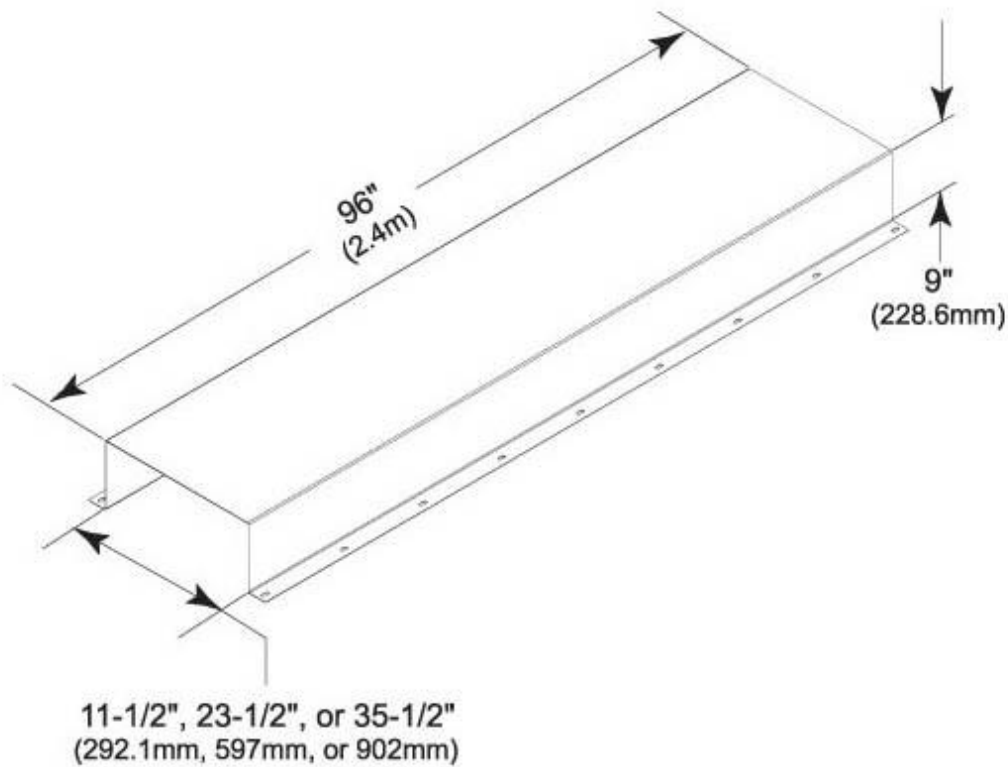
## Environmental Specifications

**Wind Rating** For Specifications, please contact [steelproducts@commscope.com](mailto:steelproducts@commscope.com) or call 800-255-1479

## General Specifications

**Cable Runs, quantity** 4  
**Mounting** Walls  
**Includes** Cover  
**Material Type** Galvanized steel  
**Package Quantity** 1

## Outline Drawing



## Regulatory Compliance/Certifications

**Agency**

ISO 9001:2015

**Classification**

Designed, manufactured and/or distributed under this quality management system



## \* Footnotes

**Wind Rating**

BWS—Base Wind Speed; FBC—Florida Building Code